

## FCB 360 TNF NE D

EN	<b>User and Installation manual</b>
DE	<b>Bedienungs- und Installationsanleitung</b>
FR	<b>Manuel d'utilisation et d'entretien</b>
IT	<b>Manuale d'uso e installazione</b>
ES	<b>Manual de uso y instalación</b>
PT	<b>Manual do utilizador e instalação</b>
PL	<b>Instrukcja instalacji i obsługi</b>
NL	<b>Gebuikers- en installatiehandleiding</b>
UK	<b>Інструкція з монтажу та експлуатації</b>

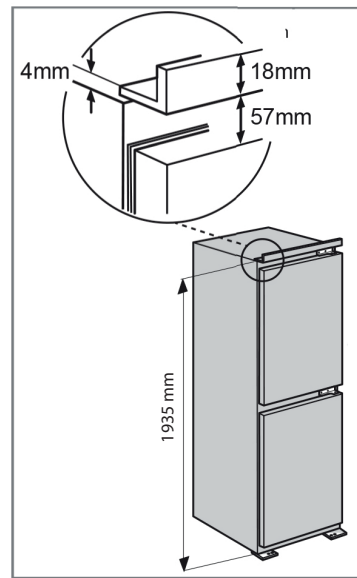
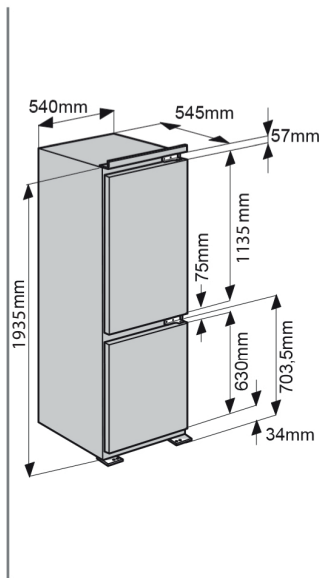
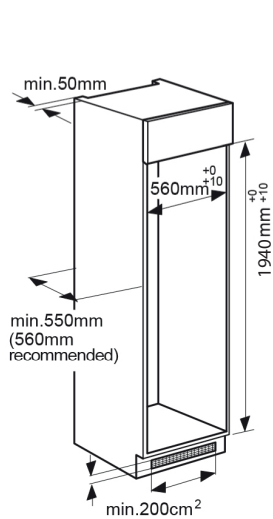
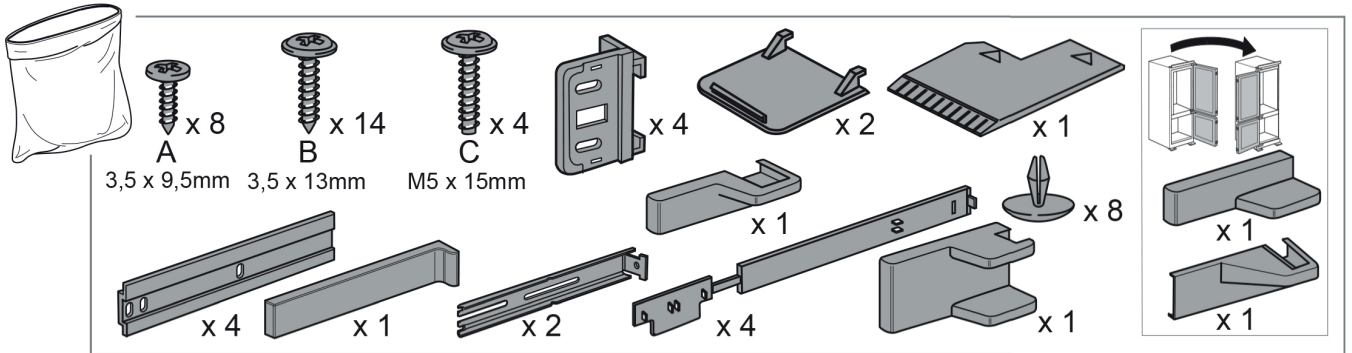
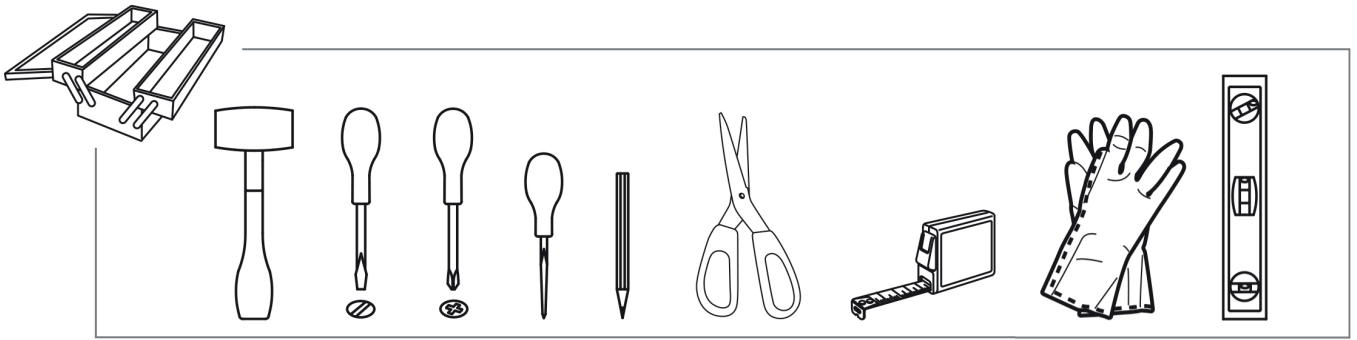
<b>Refrigerator</b>
<b>Kühlschrank</b>
<b>Réfrigérateur</b>
<b>Frigorifero</b>
<b>Frigorífico</b>
<b>Frigorífico</b>
<b>Chłodziarka</b>
<b>Koelkast</b>
<b>Холодильник</b>

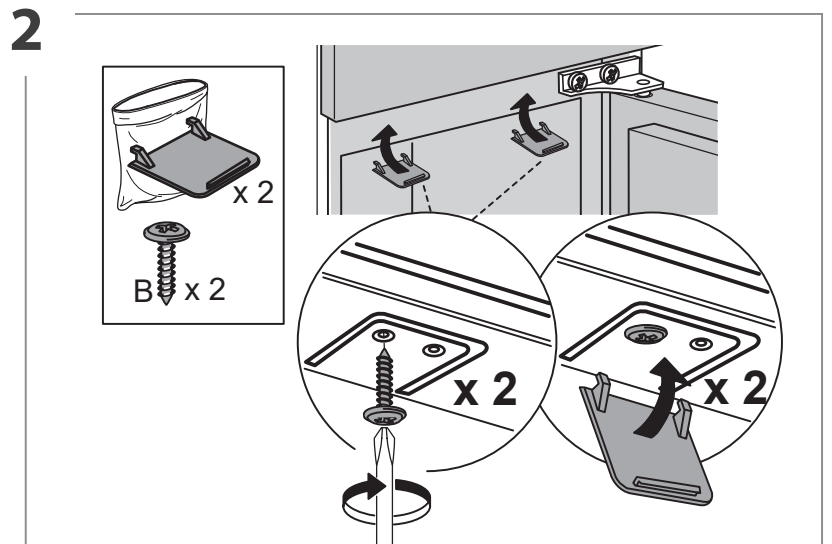
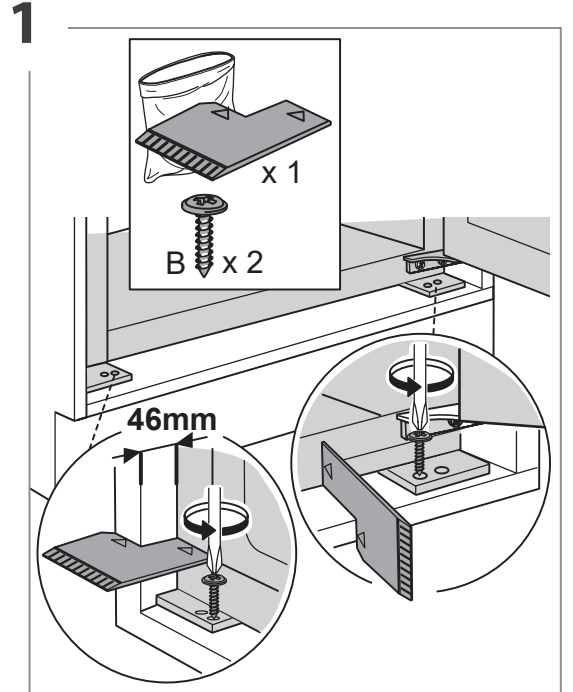
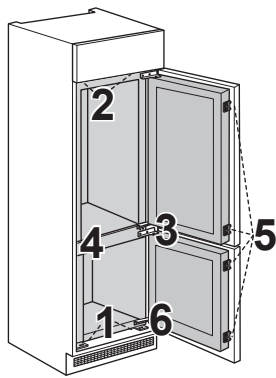
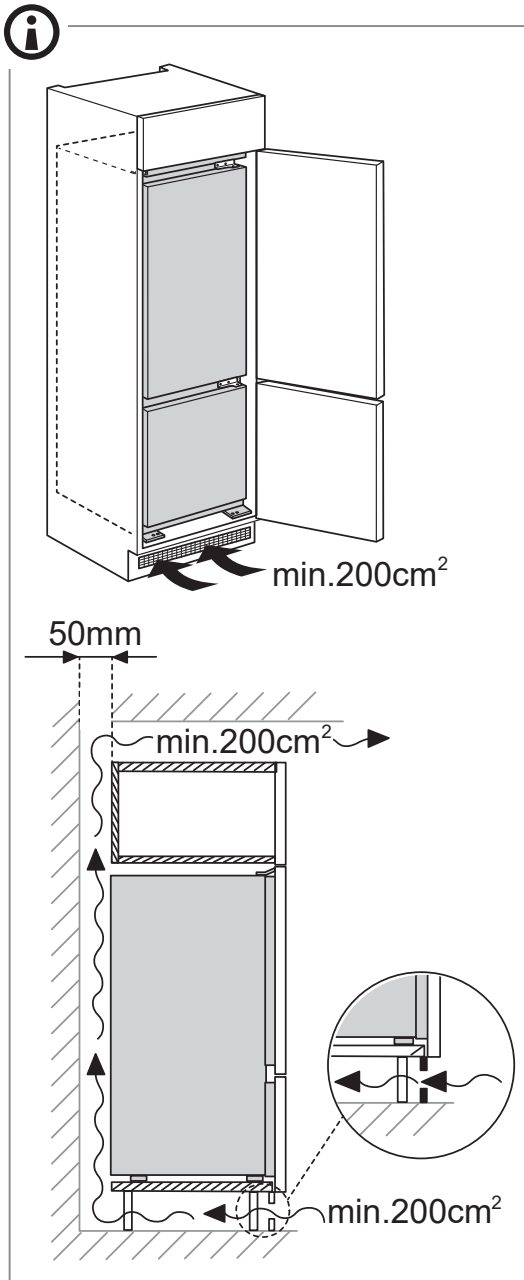
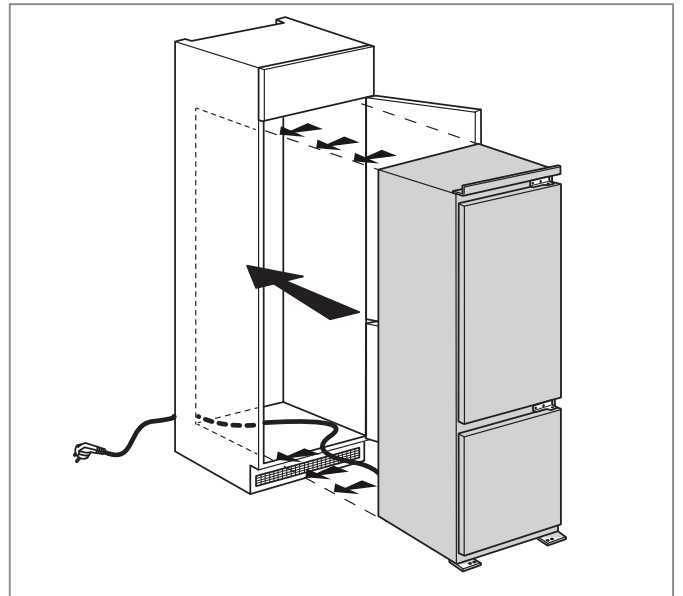
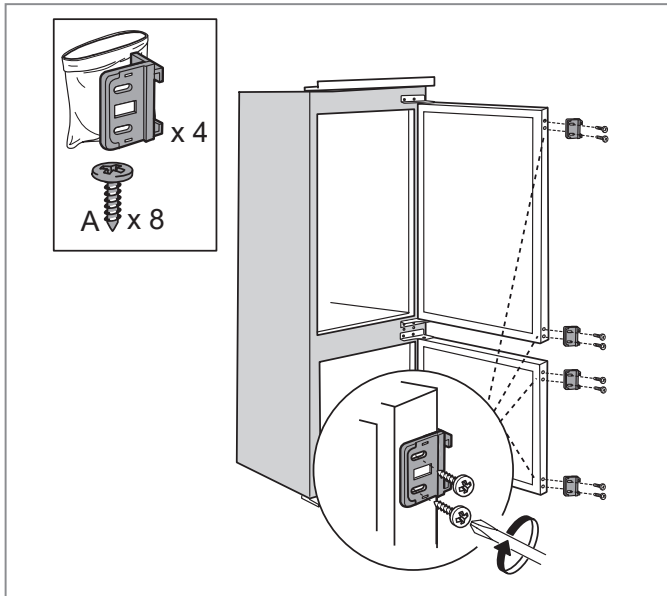
# LANGUAGES

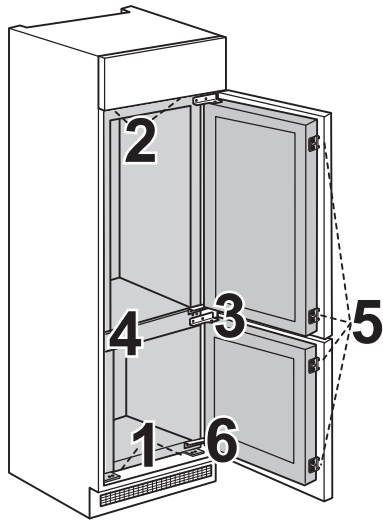
---

## SPRACHEN, LANGUES, LINGUE, IDIOMAS, IDIOMAS, JĘZYKI, TALEN, MOBI

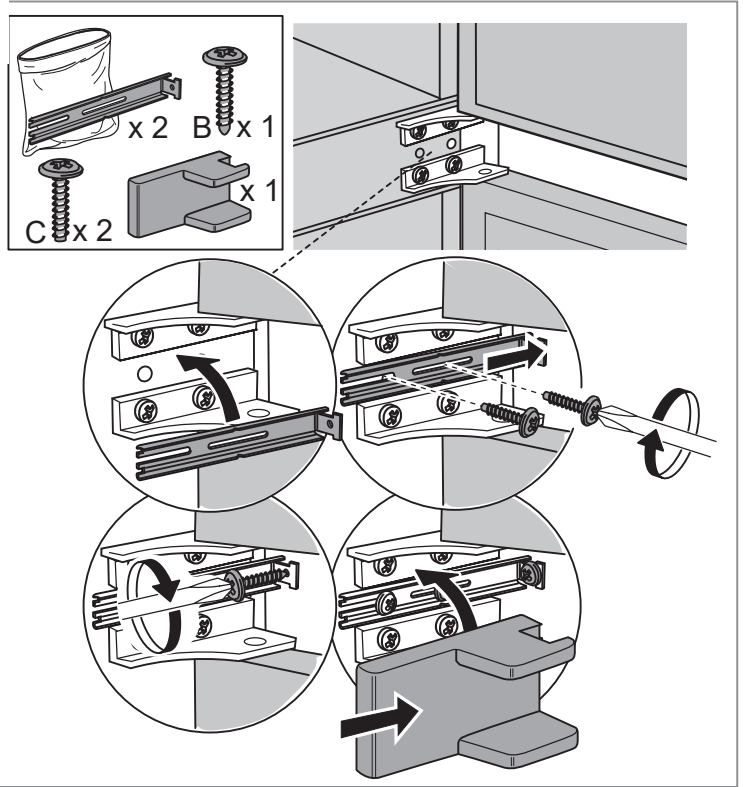
EN	USER AND INSTALLATION MANUAL.....	7
DE	BEDIENUNGS- UND INSTALLATIONSANLEITUNG.....	17
FR	MANUEL D'UTILISATION ET D'INSTALLATION .....	27
IT	MANUALE D'USO E INSTALLAZIONE.....	37
ES	MANUAL DE USUARIO Y DE INSTALACIÓN .....	47
PT	MANUAL DO UTILIZADOR E INSTALAÇÃO.....	57
PL	INSTRUKCJA INSTALACJI I OBSŁUGI .....	67
NL	GEbruikers- EN INSTALLATIEHANDLEIDING.....	77
UK	ІНСТРУКЦІЯ З МОНТАЖУ ТА ЕКСПЛУАТАЦІЇ.....	87



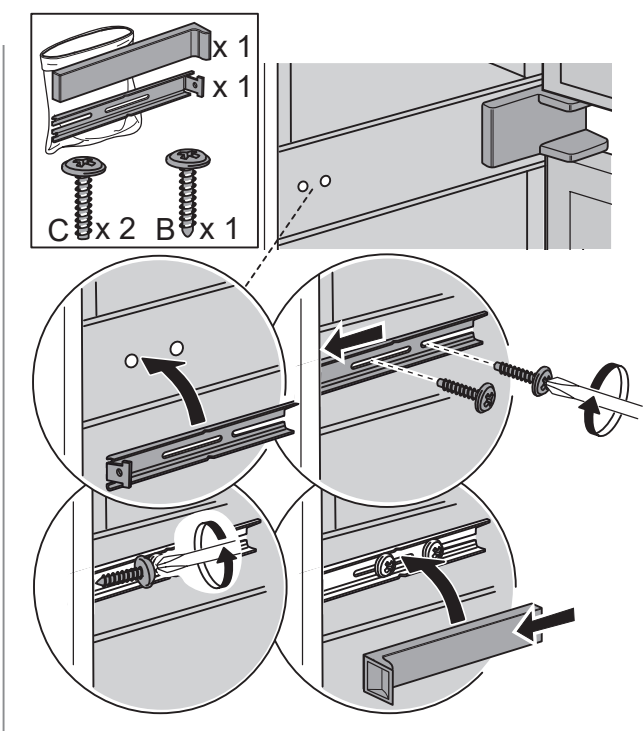




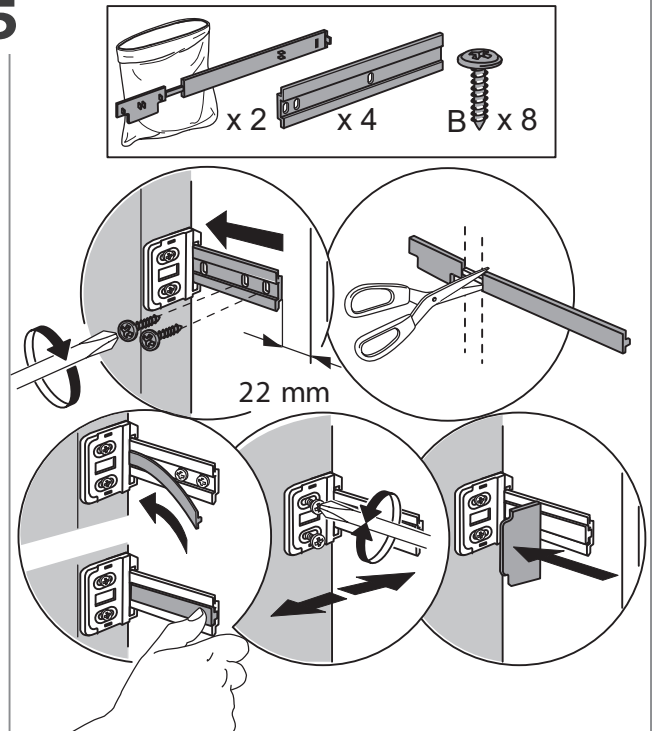
3



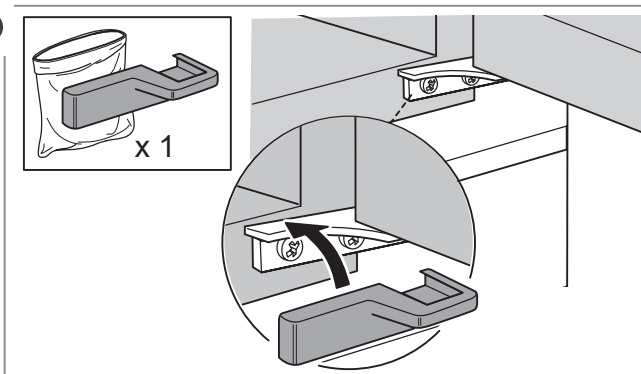
4

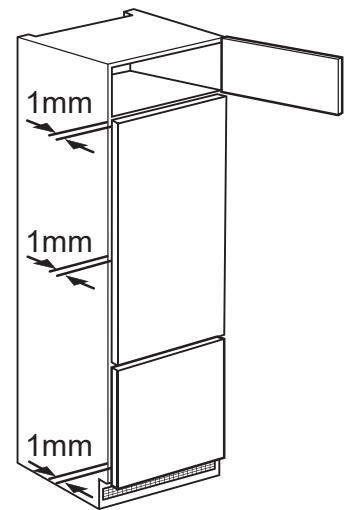
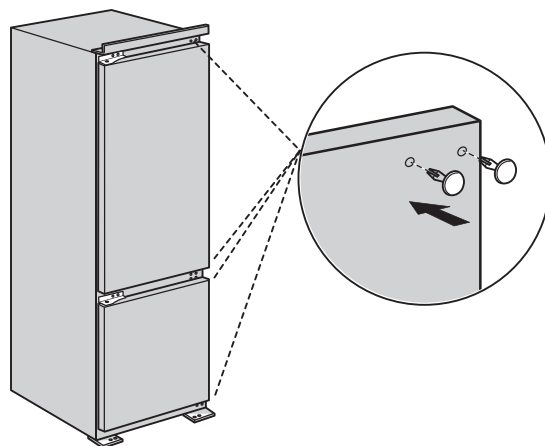
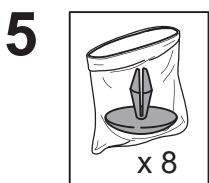
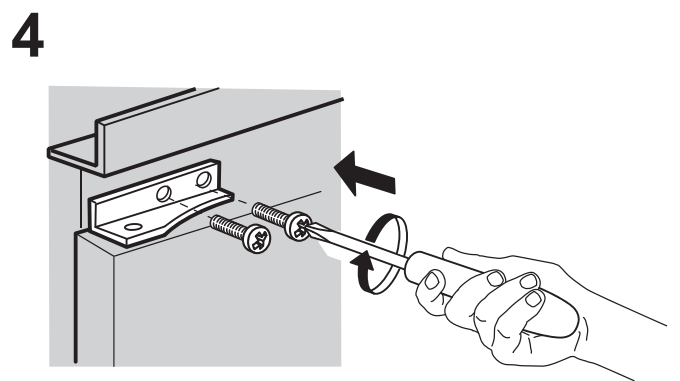
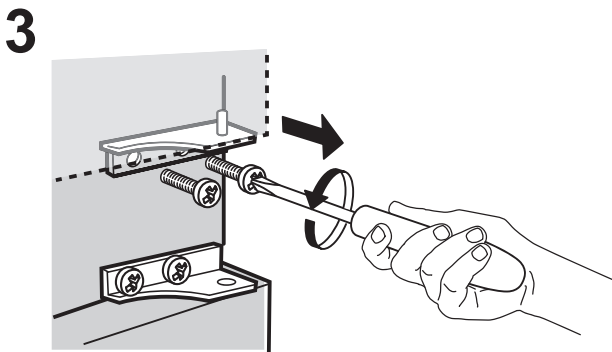
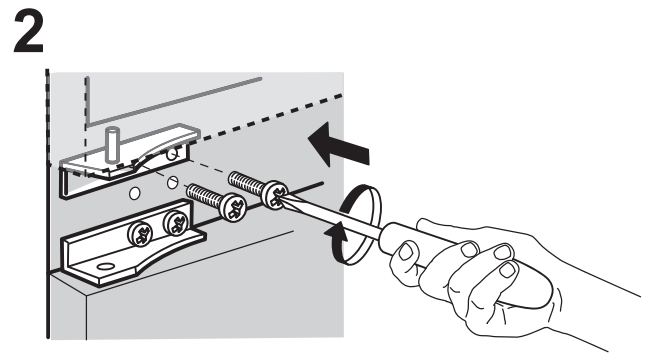
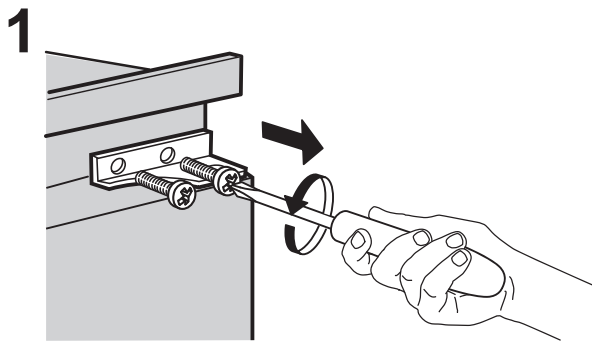
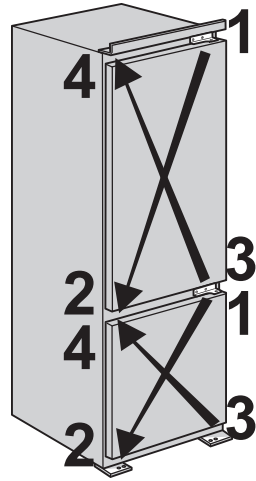
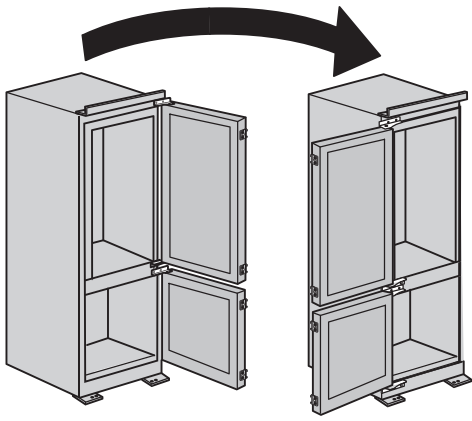


5



6





---

# TABLE OF CONTENTS

---

OVERVIEW .....	8
General Information .....	8
Control panel.....	8
OPERATION.....	9
First time use .....	9
Refrigerator compartment and food storage .....	9
How to store fresh food and beverages.....	9
Freezer compartment food storage .....	10
Storage times for home frozen foods.....	10
Freezer compartment .....	10
Functional sounds.....	11
Recommendation in case of no use of the appliance.....	11
CLEANING AND MAINTENANCE.....	12
Refrigerator light.....	12
Shelves .....	12
Door.....	12
Removing the fridge drawer .....	13
TROUBLESHOOTING .....	15
SUPPORT .....	16

# USER GUIDE

## OVERVIEW

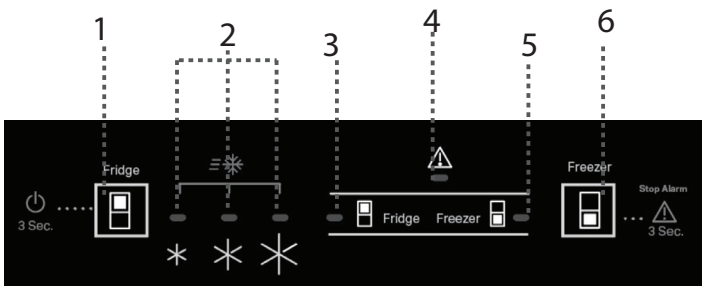
### GENERAL INFORMATION

The drawers, baskets and shelves should be kept in their current position unless otherwise specified in this quick guide. The light system inside the refrigerator compartment uses LEDs light, allowing a better lighting than traditional light bulbs as well as a very low energy consumption.

### DISPOSAL

Doors and lids of the refrigeration appliance should be removed before disposal in the landfill, to avoid children or animals getting trapped inside.

### CONTROL PANEL



1. Refrigerator Temperature / Stand By
2. Temperature Indicator setting
3. Refrigerator Indicator
4. Alarm Indicator
5. Freezer Indicator
6. Freezer Temperature / Stop Alarm

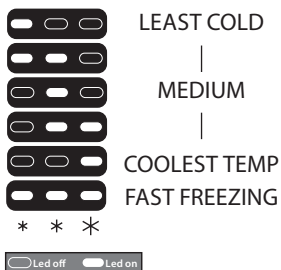
### SETTING THE TEMPERATURES

Press the Refrigerator Button to set a different temperature in the refrigerator compartment.

*Recommended setting for Refrigerator compartment is MED*

Press the Freezer Button to set a different temperature in the freezer compartment.

*Recommended setting for Freezer compartment is MED*



### ON/STAND-BY

Press the Refrigerator Temperature button for 3 seconds to turn the appliance on stand-by. When in Stand-by mode the light in the refrigerator compartment does not turn on. Press the button again briefly to reactivate the appliance.

### FAST FREEZE FUNCTION

In order to preserve at best, please use the Fast Freeze function before putting a large quantity of food in the freezer cavity.

Press the button (6) until all the three leds are on in order to set the function.

The function turns off automatically after 26 hours, or manually by selecting different freezer temperature.

*Note: Please avoid a direct contact between the fresh food and the food already frozen. To optimise the freezing speed, drawers can be removed and the food can be placed directly on the bottom of the compartment.*

To avoid an increase of food waste, refer to recommended setting and Storage Time in OPERATION chapter

# OPERATION

## FIRST TIME USE

Wait at least two hours, after the installation, before connecting the appliance to the power supply. Connect the appliance to the power supply it starts the operation automatically. The ideal storage temperatures for the food are preset in the factory.

After turning the appliance on, you must wait for 4-6 hours for the correct storage temperature to be reached for a normally filled appliance. If the audible signal sounds, it means that the temperature alarm has intervened: press the button to switch off the acoustic alarms.

## REFRIGERATOR COMPARTMENT AND FOOD STORAGE

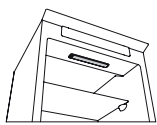
The refrigerator compartment allows for the storage of fresh food and drink. The refrigerator compartment defrosts completely automatically. The occasional presence of drops of water on the internal back wall of the compartment is a sign of the automatic defrosting phase. The defrosting water is channelled into a drain and then collected in a container, where it evaporates.

Note: the ambient temperature, how often the doors are opened and the position of the appliance may affect the internal temperatures in the two compartments. Set the temperatures depending on these factors. In very humid conditions, condensation may form in the refrigerator compartment, especially on the glass shelves. In this case, it is recommended that you close containers with liquids in (e.g. a pot of stock), wrap up food with a high water content (e.g. vegetables) and turn on the fan, if there is one. All of the drawers, door shelves and shelves can be removed.

## MULTIFLOW AIR DISTRIBUTION

The multiflow helps to distribute evenly the cold air in the cavity for a better food preservation. Foods can be placed on any shelf of the appliance. Please pay attention to not obstruct the air distribution vents thus ensuring its free movement.

## LIGHT SYSTEM

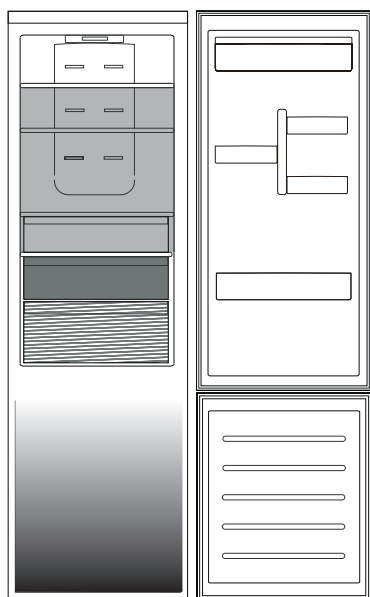


*This product contains a top light source of energy efficiency class G*



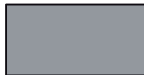

## HOW TO STORE FRESH FOOD AND BEVERAGES

Foods which give off a large amount ethylene gas (apples, apricots, pears, peaches, avocado, figs, prunes, blueberries, mellons, beans) and those that are sensitive to this gas, such as fruit vegetables and salad, should always be separated or wrapped so as not to reduce the storage life; for example do not store tomatoes together with kiwi fruits or cabbage. Do not store food too close together to enable sufficient air circulation. Use recyclable plastic, metal, aluminum and glass containers and cling film to wrap foods.

If you have a little quantity of food to store in the refrigerator, we recommend to use the shelves above the crisper for fruits and vegetables since this is the coolest area of the compartment. Always use closed containers for liquids and for food that may give off or be tainted by odor or flavor transfer or cover them. To avoid bottles falling over, you can use the bottle holder (available on selected models).



### Legend


	<b>TEMPERATURE ZONE</b> Suggested for the storage of tropical fruit, cans, drinks, eggs, sauces, pickles, butter, jam
	<b>COOL ZONE</b> Suggested for the storage of cheese, milk, daily food, delicatessen, yogurt
	<b>COOLEST AREA</b> Suggested for storage of cold cuts, desserts, meat and fish
	<b>FRUIT &amp; VEGETABLE DRAWER</b>

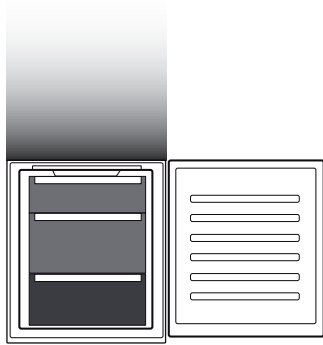
The load limits are determined by the particular construction (baskets, containers, flaps, drawers, shelves, etc.), or the load limits are determined by natural load limits.

---

## FREEZER COMPARTMENT FOOD STORAGE

---

The freezer compartment  allows long time storage of frozen food and freezing of fresh food. The quantity of fresh food that can be frozen in 24 hours is written on the rating plate. Arrange the fresh food in the freezing area inside the freezer compartment, leaving enough space around the food packages to allow air to circulate freely. It is advisable that you do not re-freeze food that has partially defrosted. It is important to wrap the food in a way that prevents the ingress of water, humidity or condensation.



### Legend



**FREEZER DRAWERS**



**FREEZING ZONE DRAWER**  
(Max cool zone)

Suggested to freeze fresh/cooked food

### REMOVING THE DRAWERS

Pull the drawers outwards as far as they will go, lift them up and remove them. To get more volume, the freezer compartment can be used without the drawers. Make sure that the door is closed properly after putting the food back on the grilles/shelves.

---

## STORAGE TIMES FOR HOME FROZEN FOODS

---

# Store Zone

Months	2-6	4-8	6-12
			
Food			
			

---

## FREEZER COMPARTMENT

---

### Ice cubes

Fill 2/3 of the ice tray with water and put it back in the freezer compartment. Do not use sharp or pointed objects to remove the ice under any circumstances.

The quantity of fresh food that can be frozen in a specific time period is indicated on the rating plate.

Load limits are determined by baskets, flaps, drawers, shelves etc. Make sure that these components can still close easily after loading.

---

### Easy Take Freezer Tray

Easy access zone in the freezer: easy to find and grab your favorite items.

---

### Total No Frost system

The Total No Frost system effectively prevents ice formation, avoiding the hassle of manual defrosting both in freezer and fridge cavity.

Its ventilation system provides perfect circulation of cold air in both cavities thus avoiding ice builds up.

---

## FUNCTIONAL SOUNDS

1. A buzz generated by the compressor is normal while the product is working.



2. Gurgling and crackles are generated by the passage of the refrigerant gas inside the cooling circuit, therefore these are normal noises.



3. It's possible to "hear" creaks when the compressor is active and inactive: it is a normal sound of the product's structure.



4. Check that the balconies on the inside of the refrigerator door, the shelves and the drawers in the refrigerator compartment are attached and positioned properly, to avoid possible vibrations.
5. Don't place glass containers (bottles, jars, etc.) in direct contact with each other, to avoid vibrations.
6. This device is equipped with a compressor that operates at an optimum speed to minimize energy consumption. So it may happen that in certain situations (in summer or if large quantities of food are introduced) that the compressor increases the speed and therefore it is more noisy than usual.

## RECOMMENDATION IN CASE OF NO USE OF THE APPLIANCE

### In the event of non-use of the appliance

Disconnect the appliance from the power supply, empty it, defrost it (if necessary) and clean it. Keep the doors slightly ajar to let air circulate inside the compartments. By doing this, you avoid the development of mould and bad odours.

### In the event of an interruption to the power supply

Keep the doors closed so the food stays cold for as long as possible. Do not re-freeze food that has partially defrosted. If there is a prolonged power cut, the black out alarm may also activate (in products with electronics).

---

# CLEANING AND MAINTENANCE

---

**Before any cleaning or maintenance operation, unplug the appliance from the mains or disconnect the electrical power supply.**  
**Never use abrasives. Never clean refrigerator parts with flammable fluids.**  
**Do not use steam cleaners.**  
**The buttons and control panel display must not be cleaned with alcohol or alcohol-derived substances, but with a dry cloth.**

Clean the appliance occasionally with a cloth and a solution of warm water and neutral cleaning agents specifically for cleaning the inside of the refrigerator.

---

## REFRIGERATOR LIGHT

The light system inside the refrigerator compartment uses LEDs light, allowing a better lighting than traditional light bulbs as well as a very low energy consumption. Contact the Technical Assistance Service if you need a replacement.

**Important:** The refrigerator compartment light switches on when the refrigerator door is opened.

---

## SHELVES

All of the drawers, door shelves and shelves can be removed.

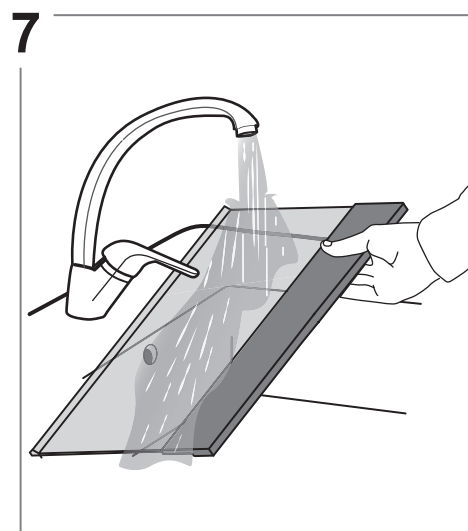
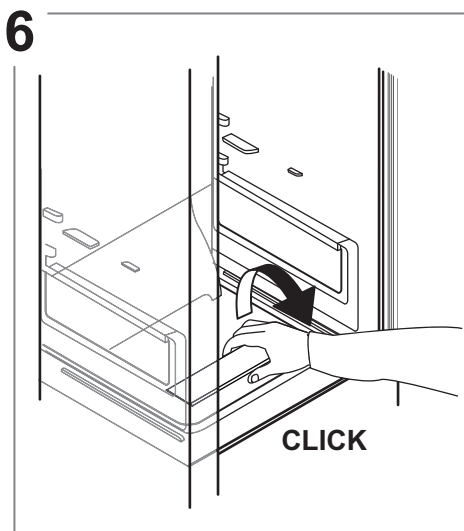
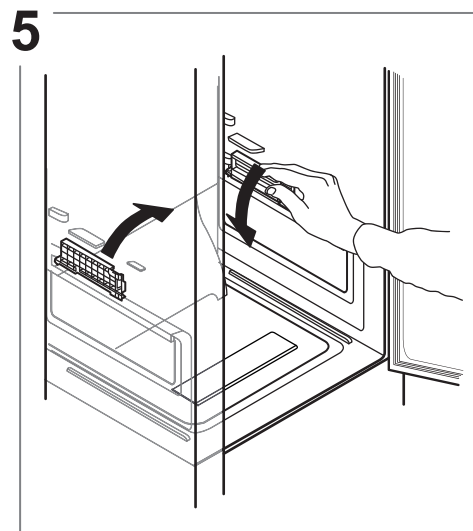
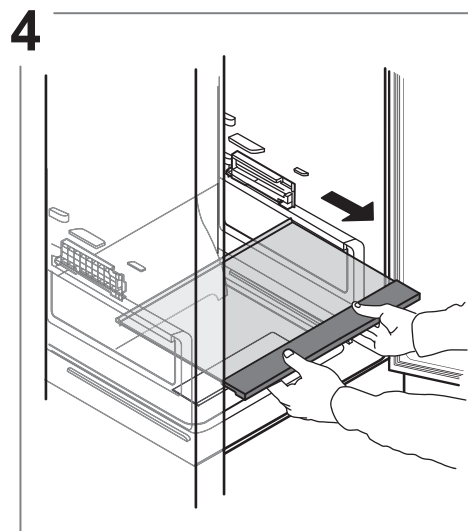
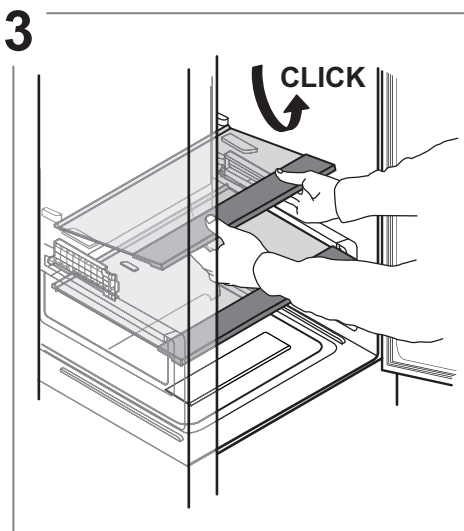
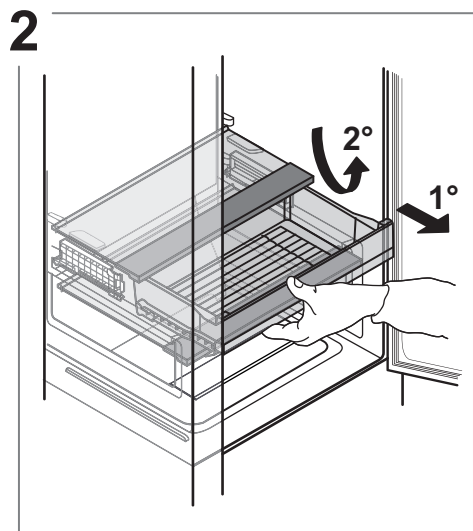
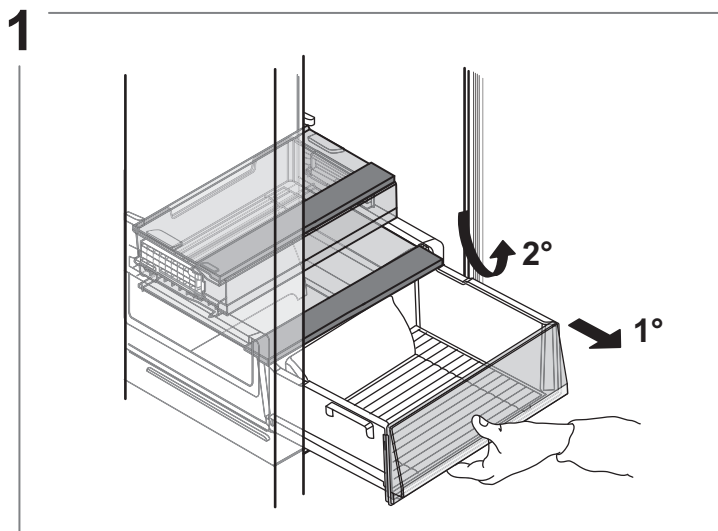
---

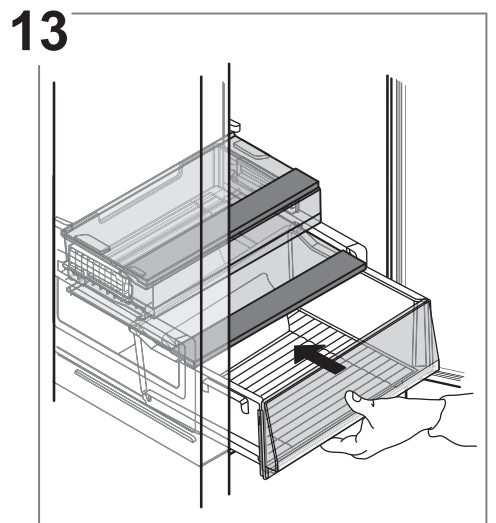
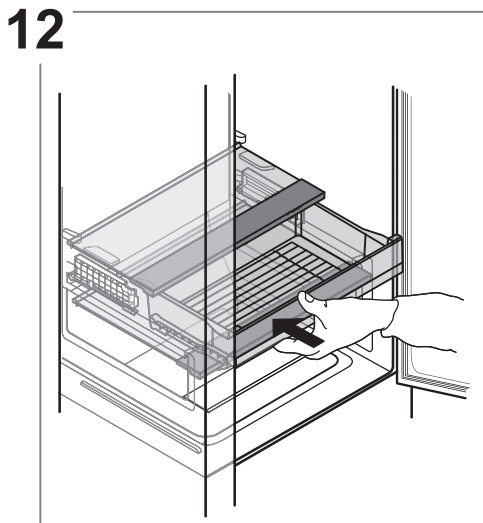
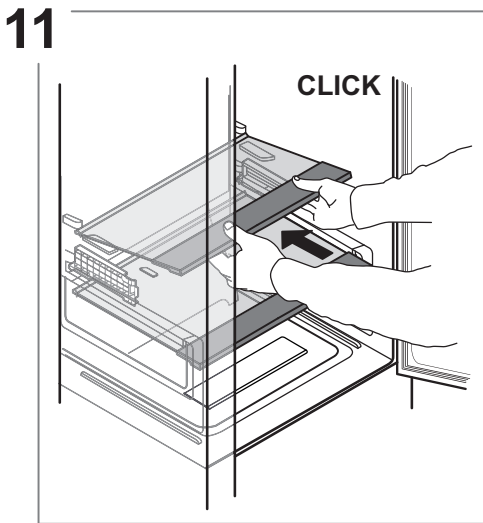
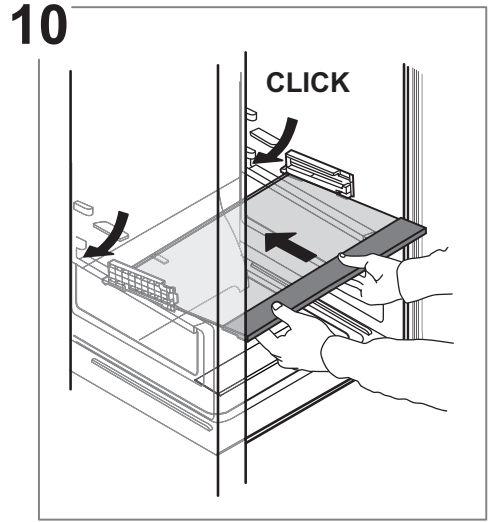
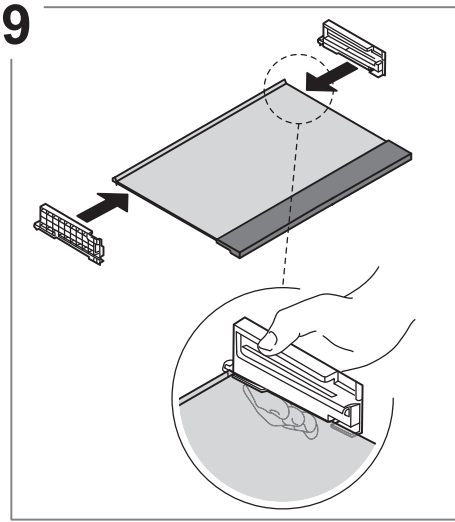
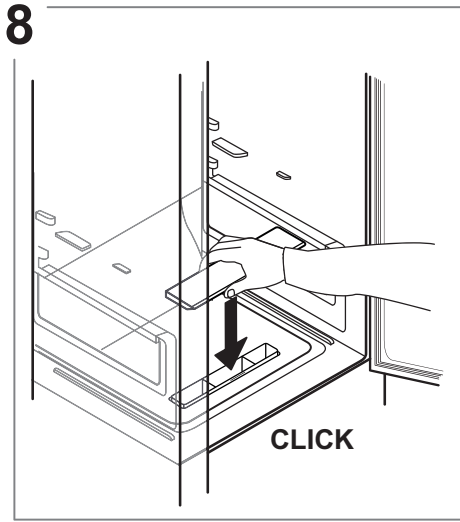
## DOOR

### DOOR REVERSIBILITY

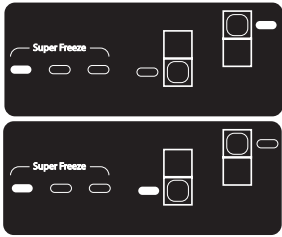
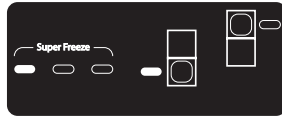
Note: The direction of door opening can be changed. If this operation is not performed by After-sales Service it is not covered by the warranty. Follow instruction in **Installation** chapter.

# REMOVING THE FRIDGE DRAWER





# TROUBLESHOOTING

What to do if...	Possible reasons	Solutions
The control panel is switched off, the appliance does not work.	The appliance could be in On/Standby mode. There may be an appliance power supply problem.	Activate the appliance with the button 1. Make sure: <ul style="list-style-type: none"> <li>• there is not a power outage</li> <li>• the plug is properly inserted in the power socket and the mains double-pole switch (if present) is in the correct position (i.e. allows the appliance to be powered)</li> <li>• the household electrical system protection devices are efficient</li> <li>• the power cable is not broken.</li> </ul>
The inside light does not work.	The light may need replacing.	Contact the Authorized service center.
	The appliance could be in On/Standby mode.	Activate the appliance with the button 1.
The temperature inside the compartments is not low enough.	There could be various causes (see "Cures").	Make sure: <ul style="list-style-type: none"> <li>• the doors close properly</li> <li>• the appliance is not installed near a heat source</li> <li>• the set temperature is adequate</li> <li>• the circulation of air through the vents at the bottom of the appliance is not obstructed.</li> </ul>
The front edge of the appliance, at the door striker seal, is hot.	This is not a defect. It prevents condensation from forming.	No cure is necessary.
Acoustic signal sounds.	<b>Door open alarm</b> It is activated when a door remains open for a long period of time.	Close the doors of the product to deactivate the acoustic signal.
	<b>Black Out alarm</b> It is activated in case of a prolonged power outage causing an increase in the freezer compartment temperature.  Note: A different product temperature cannot be set until the Black Out alarm is deactivated.	Before deactivating the acoustic signal, it is advisable to pay attention to the Freezer temperature leds, corresponding to the highest temperature reached in the freezer compartment during the black out. Press the "Stop Alarm" button briefly to deactivate the acoustic signal. After pressing the button, the temperature led shows the set temperatures again. If the freezer compartment has not yet reached the optimum food preservation temperature, the freezer compartment temperature alarm could be activated (see freezer compartment temperature alarm). Check the food before consuming it.
	<b>Freezer compartment temperature alarm</b> The freezer compartment temperature alarm indicates that the compartment temperature is not optimum. This may happen: with first use, after defrosting and/or cleaning, if large amounts of food are placed inside the freezer or when the freezer door has not been closed properly.	Pressing button (1) or button (6) button the acoustic alarm is snoozed

**FRANKE.COM**

© Franke Technology and Trademark Ltd, Switzerland

## SUPPORT

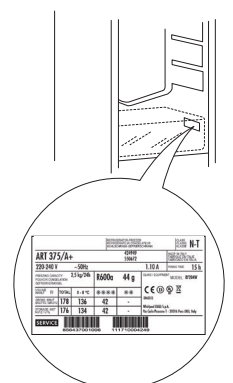
In the event of any operation problems, contact a Franke Technical Service Centre.

Never use the services of unauthorized technicians.

**Specify:**

- the type of fault
- the appliance model (art./Code)
- the serial number (S.N.).

When contacting our Service Centre, please state the codes provided on your product's identification plate.



# INHALT

ÜBERSICHT.....	18
Allgemeine Informationen.....	18
Bedienfeld.....	18
FUNKTIONSWEISE .....	19
Erster Gebrauch .....	19
Kühlfach und Lagerung von Lebensmitteln.....	19
Aufbewahren von frischen Lebensmitteln und Getränken.....	19
Gefrierfach Lebensmittellagerung .....	20
Aufbewahrungszeitraum für zu Hause eingefrorene Lebensmittel .....	20
Gefrierfach .....	21
Betriebsgeräusche .....	21
Empfehlungen bei Nichtgebrauch des Gerätes .....	21
REINIGUNG UND WARTUNG.....	22
Kühlschranklicht .....	22
Ablageflächen.....	22
Tür .....	22
Entfernen des Kühlschranks-Schubfachs .....	23
ANLEITUNG ZUR FEHLERSUCHE.....	25
SUPPORT .....	26

# GEBRAUCHSANLEITUNG

## ÜBERSICHT

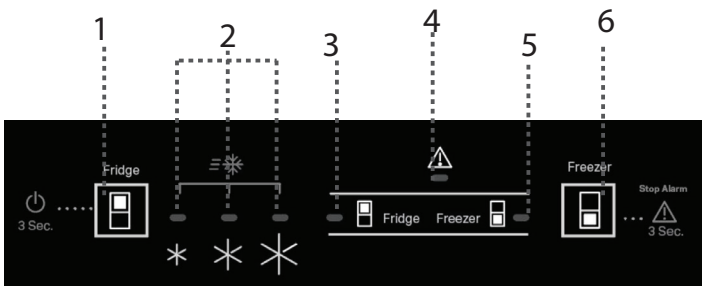
### ALLGEMEINE INFORMATIONEN

Schubladen, Körbe und Ablageflächen sollten an ihrem aktuellen Platz bleiben, sofern in dieser Kurzanleitung nicht anders angegeben. Für das Lichtsystem im Inneren des Kühlfachs werden LED-Leuchten verwendet. Diese ermöglichen eine bessere Lichtausbeute als herkömmliche Glühlampen bei sehr niedrigem Energieverbrauch.

### ENTSORGUNG

Türen und Klappen des Kühlgeräts müssen vor der Entsorgung auf der Mülldeponie entfernt werden, um zu vermeiden, dass Kinder oder Tiere darin eingeschlossen werden.

### BEDIENFELD



1. Kühlschranktemperatur / Standby
2. Temperaturanzeigeeinstellung
3. Kühlfachanzeige
4. Alarm-Anzeige
5. Gefrierfachanzeige
6. Gefrierfachtemperatur / Stopalarm

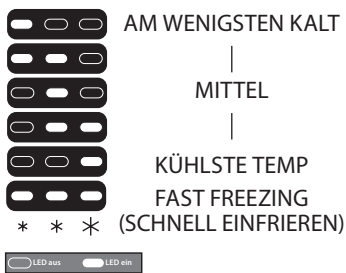
### EINSTELLEN DER TEMPERATUREN

Drücken Sie die Kühlschranktaste , um eine andere Temperatur im Kühlfach einzustellen.

*Die empfohlene Einstellung für das Kühlfach ist MITTEL*

Drücken Sie die Gefriertaste , um eine andere Temperatur im Gefrierfach einzustellen.

*Die empfohlene Einstellung für das Gefrierfach ist MITTEL*



### ON/STAND-BY (EIN/STANDBY)

Drücken Sie die Kühlschrank-Temperaturtaste 3 Sekunden lang, um das Gerät auf Standby zu schalten.

Im Standby-Modus schaltet sich das Licht im Kühlraum nicht ein. Um das Gerät wieder zu aktivieren, drücken Sie erneut kurz die Taste.

### FAST FREEZE-FUNKTION (SCHNELL EINFRIEREN)

Für eine optimale Konservierung verwenden Sie bitte die Schnell Einfrieren-Funktion, bevor Sie eine große Menge Lebensmittel in den Gefrierraum geben. Drücken Sie die Taste (6), bis alle drei LEDs eingeschaltet sind, um die Funktion einzustellen. Die Funktion wird nach 26 Stunden automatisch abgestellt. Sie kann auch manuell durch Auswahl einer anderen Gefrierfach-Temperatur abgestellt werden.

*Hinweis: Bitte vermeiden Sie direkte Berührung zwischen frischen Lebensmitteln und Lebensmitteln, die bereits gefroren sind. Um die optimale Gefriergeschwindigkeit zu erzielen, können Schubladen entfernt werden und die Lebensmittel können direkt unten im Fach platziert werden.*

Um eine Zunahme der Lebensmittelverschwendung zu vermeiden, lesen Sie bitte die empfohlene Einstellung und Lagerzeit im Kapitel BETRIEB

# FUNKTIONSWEISE

## ERSTER GEBRAUCH

Warten Sie mindestens zwei Stunden nach der Installation, bevor Sie das Gerät an das Stromnetz anschließen. Schließen Sie das Gerät an das Stromnetz an. Es startet automatisch. Die idealen Temperaturen zur Lagerung von Lebensmitteln sind ab Werk voreingestellt.

Nach dem Einschalten des Geräts müssen Sie 4-6 Stunden warten, bis die korrekte Lagertemperatur für ein normal befülltes Gerät erreicht ist. Wenn das akustische Signal ertönt, bedeutet dies, dass der Temperaturalarm ausgelöst wurde: Zum Abschalten des akustischen Alarms die Taste drücken.

## KÜHLFACH UND LAGERUNG VON LEBENSMITTELN

Im Kühlfach können frische Lebensmittel und Getränke aufbewahrt werden. Das Kühlfach taut vollautomatisch ab. Gelegentlich auf der Innenrückwand des Kühlfachs auftauchende Wassertropfen weisen auf die automatische Abtauphase hin. Das Tauwasser läuft automatisch durch eine Abflussöffnung in einen Behälter, in dem es verdampft.

Hinweis: Umgebungstemperatur, Häufigkeit der Türöffnung und Aufstellungsort des Geräts können die Innentemperatur in den beiden Fächern beeinflussen. Beachten Sie diese Faktoren bei der Temperatureinstellung. Unter sehr feuchten Umgebungsbedingungen kann sich Kondenswasser im Kühlfach bilden, vor allem auf den Glasablagen. In diesem Fall empfiehlt es sich, Behälter mit Flüssigkeiten abzudecken (z. B. ein Topf mit Brühe), Lebensmittel mit hohem Flüssigkeitsgehalt (z. B. Gemüse) einzuwickeln, und den Lüfter einzuschalten (falls vorhanden). Sämtliche Schubladen, Türablagen und Ablageflächen können entfernt werden.

## MULTIFLOW-LUFTVERTEILUNG

Multiflow hilft, die kalte Luft für eine bessere Konservierung gleichmäßig im Kühlraum zu verteilen. Lebensmittel können auf jeder Ablagefläche des Geräts platziert werden. Bitte achten Sie darauf, die Verteilungsöffnungen der Luft nicht zu blockieren, um deren freie Bewegung zu gewährleisten.

## LICHTSYSTEM

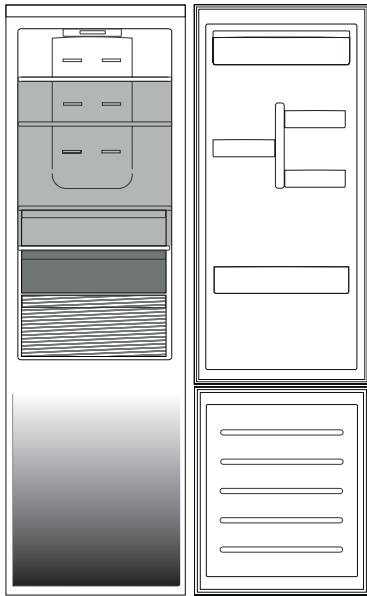


*Dieses Produkt enthält eine obere Lichtquelle der Energieeffizienzklasse G*

## AUFBEWAHREN VON FRISCHEN LEBENSMITTELN UND GETRÄNKEN

Lebensmittel, die eine große Menge an Ethylengas abgeben (Äpfel, Aprikosen, Birnen, Pfirsiche, Avokado, Feigen, Pflaumen, Heidelbeeren, Melonen, Bohnen) und solche, die empfindlich darauf reagieren, wie Obst, Gemüse und Salat, müssen immer getrennt voneinander oder verpackt aufbewahrt werden, um die Lagerzeit nicht zu verkürzen; bewahren Sie zum Beispiel keine Tomaten mit Kiwi oder Kohl zusammen auf. Lagern Sie Lebensmittel nicht zu nah aneinander, um ausreichende Luftzirkulation zu ermöglichen. Wenn Sie es bevorzugen, Ihre Lebensmittel einzupacken, verwenden Sie hierfür bitte Behälter aus recyceltem Kunststoff, Metall, Aluminium und Glas sowie Frischhaltefolie.

Wenn Sie eine geringe Menge an Lebensmitteln im Kühlschrank aufbewahren möchten, empfehlen wir die Verwendung der Regale über dem Obst- und Gemüsefach, da es sich hierbei um den kältesten Bereich im Kühlschrankinneren handelt. Verwenden Sie stets verschlossene Behälter für Flüssigkeiten sowie für Lebensmittel, die zu Geruchsbildung führen oder hierdurch verderben können bzw. bei denen es zu Geschmacksübertragung kommen kann, oder decken Sie diese ab. Verwenden Sie den Flaschenhalter (modellabhängig erhältlich), um ein Umkippen von Flaschen zu vermeiden.



### Zeichenerklärung



#### TEMPERATUR BEREICH

Empfohlen für die Lagerung von tropischen Früchten, Dosen, Getränken, Eiern, Saucen, eingelegtes Gemüse, Butter und Marmelade



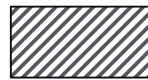
#### KÜHLER BEREICH

Empfohlen für die Lagerung von Käse, Milch, Lebensmittel für den täglichen Verzehr, Delikatessen und Joghurt



#### KÄLTESTER BEREICH


Empfohlen für die Lagerung von Aufschnitten, Desserts, Fleisch und Fisch

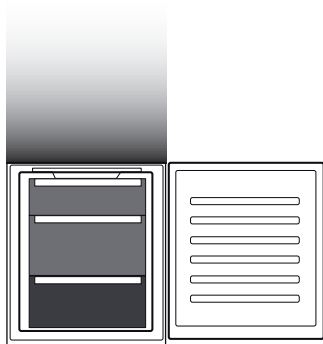


#### OBST- UND GEMÜSEFACH

Die Beladegrenzen werden durch die jeweilige Konstruktion (Körbe, Behälter, Klappen, Schubladen, Ablageflächen usw.) oder durch natürliche Beladegrenzen bestimmt.

## GEFRIERFACH LEBENSMITTELLAGERUNG

Das Gefrierfach  ermöglicht eine langfristige Aufbewahrung von Tiefkühlkost und das Einfrieren frischer Lebensmittel. Die Menge an Lebensmitteln, die pro 24 Stunden eingefroren werden kann, ist auf dem Typenschild angegeben. Platzieren Sie frische Lebensmittel im Einfrierbereich des Gefrierfachs und lassen Sie dabei ausreichend Platz um die Verpackungen herum zur Luftzirkulation. Frieren Sie Lebensmittel nicht erneut ein, auch wenn sie nur teilweise angetaut sind. Die Lebensmittel müssen unbedingt auf eine Weise eingepackt sein, die das Eindringen von Wasser, Flüssigkeit oder Kondensation verhindert.



### Zeichenerklärung



#### SCHUBFÄCHER DES GEFRIERRAUMS



#### GEFRIERBEREICH-FACH

(Max Kühlbereich)

Empfohlen um frische/gekochte Lebensmittel einzufrieren

### HERAUSNAHME DER SCHUBLADEN

Ziehen Sie die Schubladen soweit es geht nach außen, heben Sie diese an und nehmen Sie die Schubladen heraus. Für mehr Stauraum kann das Gefrierfach ohne Schubladen verwendet werden. Stellen Sie sicher, dass die Tür richtig geschlossen ist, nachdem Sie die Lebensmittel zurück auf die Gitter/Ablageflächen gegeben haben.

## AUFBEWAHRUNGSZEITRAUM FÜR ZU HAUSE EINGEFRORENE LEBENSMITTEL

# Lagerbereich

Monate

2-6

4-8

6-12



Speise



## GEFRIERFACH

### Eiswürfel

Füllen Sie die Eiswürfelbehälter zu 2/3 mit Wasser und stellen Sie diese in das Gefrierfach. Verwenden Sie unter keinen Umständen scharfe oder spitzen Werkzeuge, um das Eis zu lösen.

Die Menge an Lebensmitteln, die innerhalb eines spezifischen Zeitraums eingefroren werden kann, ist auf dem Typenschild angegeben.

Beladegrenzen werden durch Körbe, Klappen, Schubladen, Ablageflächen usw. bestimmt. Stellen Sie sicher, dass diese Komponenten nach dem Einräumen noch einfach schließen.

### Einfach zugänglicher Gefrierfacheinsatz

Einfach zugänglicher Bereich im Gefrierfach: Einfaches Auffinden und Entnehmen Ihrer Lieblingsprodukte.

### Total No Frost System

Das Total No Frost System schützt wirksam vor Eisbildung und vermeidet das mühsame manuelle Abtauen sowohl im Gefrierfach als auch im Kühlraum.

Sein Belüftungssystem sorgt für eine perfekte Zirkulation der kalten Luft in beiden Fächern und verhindert so die Eisbildung.

## BETRIEBSGERÄUSCHE

1. Ein Summen durch den Kompressor ist normal während dem Betrieb.



2. Ein Gluckern und Knistern werden beim Durchgang des Kältemittelgases in den Kühlkreislauf erzeugt, es handelt sich um normale Geräusche.



3. Es kann vorkommen, dass ein Knistern gehört wird, wenn der Kompressor aktiv und inaktiv ist: Dies ist ein normales Geräusch der Produktstruktur.



4. Prüfen Sie, dass die Ablagen in der Kühlschrankschranktür, die Ablageflächen und Fächer in dem Kühlfach richtig befestigt und positioniert sind, um mögliche Vibrationen zu vermeiden.

5. Vermeiden Sie den direkten Kontakt von Glasbehältern (Flaschen, Gläsern, usw.) miteinander, um Vibrationen zu vermeiden.

6. Dieses Gerät ist mit einem Kompressor ausgestattet, der bei optimaler Geschwindigkeit arbeitet, um den Energieverbrauch zu verringern. Daher kann es vorkommen, dass unter bestimmten Situationen (im Sommer oder wenn große Mengen an Lebensmittel gelagert werden) der Kompressor die Geschwindigkeit erhöht und somit geräuschvoller als normal ist.

## EMPFEHLUNGEN BEI NICHTGEBRAUCH DES GERÄTES

### Bei Nichtgebrauch des Geräts

Trennen Sie die Spannungsversorgung des Geräts, entleeren Sie es, tauen Sie es ggf. ab und reinigen Sie es. Halten Sie die Türen leicht geöffnet, damit Luft hindurchströmen kann. Hierdurch verhindern Sie die Bildung von Schimmel und schlechten Gerüchen.

### Bei einer Unterbrechung der Spannungsversorgung

Halten Sie die Türen geschlossen, damit die Lebensmittel so lange wie möglich kalt bleiben. Frieren Sie Lebensmittel nicht erneut ein, auch wenn sie nur teilweise angetaut sind. Bei einem längeren Stromausfall wird der Stromausfall-Alarm möglicherweise ebenfalls aktiviert (bei elektronischen Modellen).

---

# REINIGUNG UND WARTUNG

---

**Ziehen Sie vor Reinigungs- und Wartungsarbeiten den Netzstecker des Gerätes oder unterbrechen Sie die Stromversorgung.**  
**Verwenden Sie niemals Scheuermittel. Reinigen Sie Kühlschrankteile niemals mit entflammbaren Flüssigkeiten.**  
**Verwenden Sie keine Dampfreiniger.**  
**Tasten und Bedientafel dürfen nicht mit Alkohol oder alkoholischen Substanzen gereinigt werden.**  
**Verwenden Sie nur ein trockenes Tuch.**

Reinigen Sie das Gerät gelegentlich mit einem Tuch und einer Lösung aus warmem Wasser und speziellen Neutralreinigern zur internen Reinigung von Kühlschränken.

---

## KÜHLSCHRANKLICHT

Für das Lichtsystem im Inneren des Kühlfachs werden LED-Leuchten verwendet. Diese ermöglichen eine bessere Lichtausbeute als herkömmliche Glühlampen bei sehr niedrigem Energieverbrauch. Wenden Sie sich an den technischen Kundendienst, wenn die Lampe ausgewechselt werden muss.

**Wichtig:** Beim Öffnen der Kühlschranktür schaltet sich die Innenbeleuchtung ein.

---

## ABLAGEFLÄCHEN

Sämtliche Schubladen, Türablagen und Ablageflächen können entfernt werden.

---

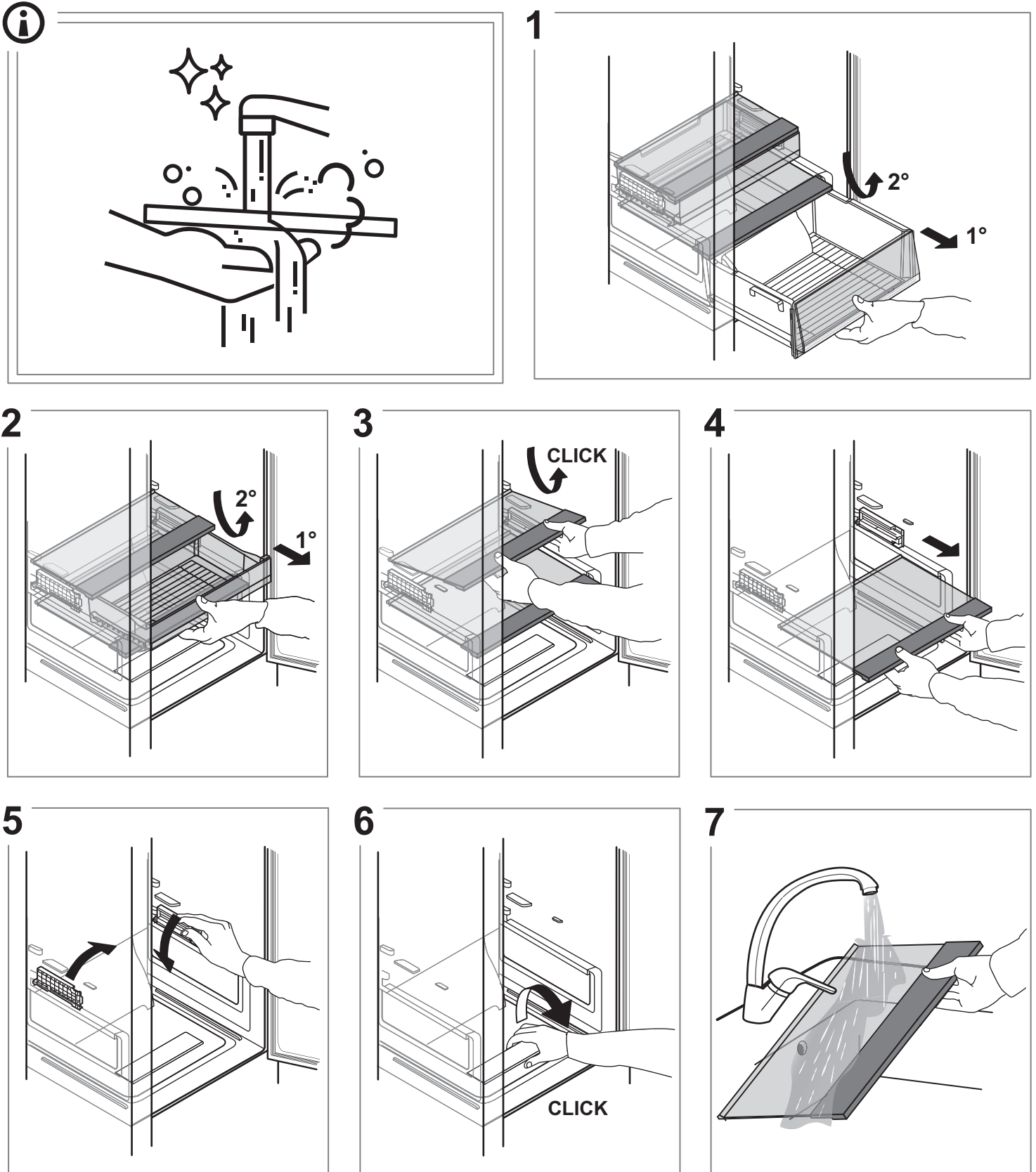
## TÜR

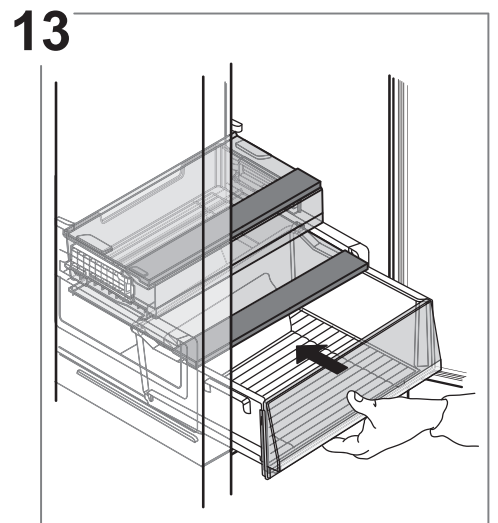
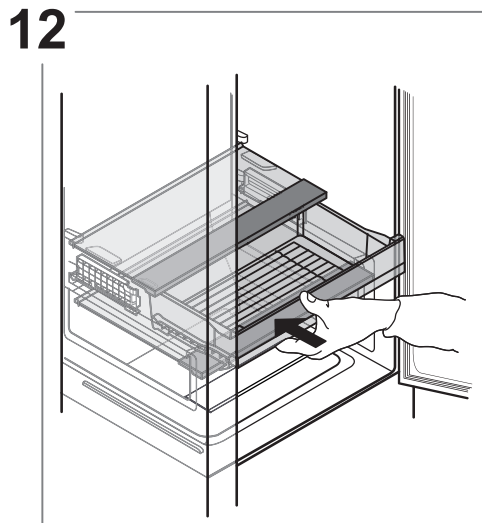
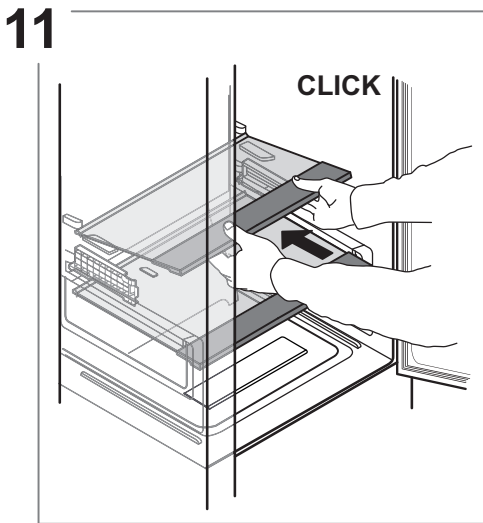
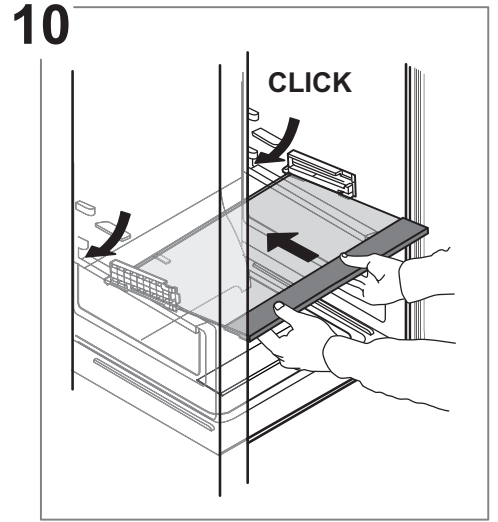
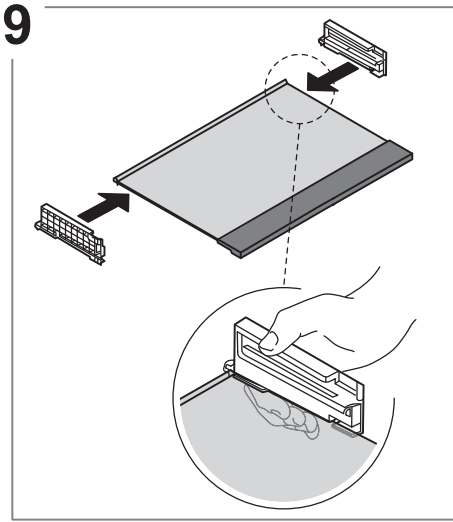
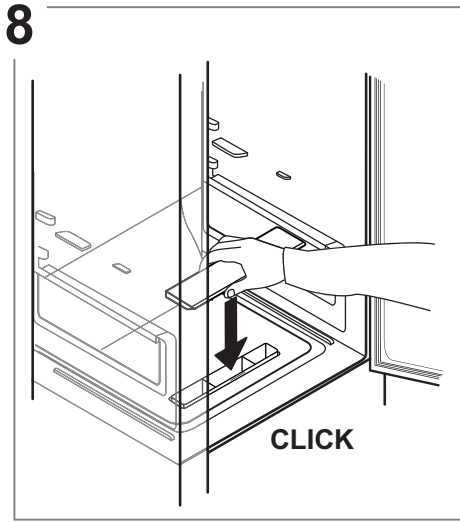
---

### TÜRANSCHLAGWECHSEL

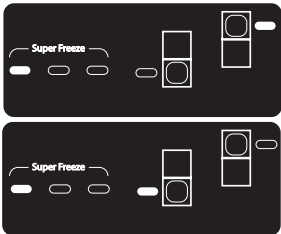
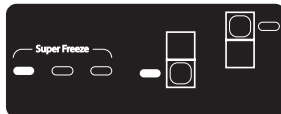
Hinweis: Die Öffnungsrichtung der Tür kann umgestellt werden. Falls dieser Vorgang nicht durch den Kundendienst durchgeführt wird, ist er nicht durch die Garantie abgedeckt. Befolgen Sie die Anweisungen im Kapitel **Installation**.

## ENTFERNEN DES KÜHLSCHRANK-SCHUBFACHS





# ANLEITUNG ZUR FEHLERSUCHE

Was tun, wenn...	Mögliche Ursachen	Abhilfe
Die Bedientafel ist ausgeschaltet, das Gerät funktioniert nicht.	Das Gerät könnte in der Betriebsart Ein/Standby sein. Das Gerät kann ein Problem mit der Stromversorgung haben.	Schalten Sie das Gerät mit Taste 1 ein. Stellen Sie sicher, dass: <ul style="list-style-type: none"> <li>kein Stromausfall vorliegt</li> <li>ob der Stecker richtig in die Steckdose eingesteckt ist und der zweipolige Hauptschalter (falls vorhanden) sich in der richtigen Position befindet (dadurch wird die Stromversorgung des Geräts ermöglicht)</li> <li>die Schutzvorrichtungen der elektrischen Anlage im Haushalt funktionieren</li> <li>dass das Netzkabel nicht beschädigt ist.</li> </ul>
Die Innenbeleuchtung funktioniert nicht.	Die Lampe muss möglicherweise ausgetauscht werden.	Wenden Sie sich an eine autorisierte Kundendienststelle.
	Das Gerät könnte in der Betriebsart Ein/Standby sein.	Schalten Sie das Gerät mit Taste 1 ein.
Die Temperatur in den Fächern ist nicht niedrig genug.	Es können verschiedene Gründe vorliegen (siehe "Abhilfe").	Stellen Sie sicher, dass: <ul style="list-style-type: none"> <li>ob die Türen korrekt schließen</li> <li>das Gerät nicht neben einer Wärmequelle aufgestellt ist</li> <li>die eingestellte Temperatur ausreichend ist</li> <li>die Luftzirkulation durch die Belüftungsöffnungen im unteren Geräteteil nicht behindert wird.</li> </ul>
Die vordere Gerätekante in Höhe der Türdichtung ist warm.	Es liegt keine Störung vor. Hierdurch wird die Bildung von Kondenswasser verhindert.	Keine Gegenmaßnahme nötig.
Ein akustisches Signal ertönt.	<b>Alarm Tür offen</b> Wird aktiviert, wenn eine Tür zu lange offen steht.	Schließen Sie die Türen des Produktes, um das akustische Signal zu deaktivieren.
	<b>Stromausfall-Alarm</b> Es wird aktiviert, bei längerem Stromausfall und führt zu einer Temperaturerhöhung im Kühlfach.  Hinweis: Bis zur Deaktivierung des Stromausfallalarms kann keine andere Temperatur für das Produkt eingestellt werden.	Vor der Deaktivierung des akustischen Signals empfiehlt es sich, auf die auf die Gefrierfachtemperatur-LEDs zu achten. Hierbei handelt es sich um die höchste Temperatur, die während des Stromausfalls im Gefrierfach erreicht wurde. Zum Abstellen des Alarmtons kurz die Taste "Stopp Alarm" drücken. Nach Druck auf diese Taste zeigt die Temperatur-LED wieder die eingestellte Temperatur an. Wenn der Gefrierfachraum noch nicht die optimale Lebensmittellagertemperatur erreicht hat, kann der Temperaturalarm des Gefrierfachs aktiviert werden (siehe Temperaturalarm des Gefrierfachs). Prüfen Sie die Lebensmittel vor dem Verzehr..
	<b>Temperaturalarm des Gefrierfachs</b> Der Temperaturalarm des Gefrierfachs zeigt an, dass das Gefrierfach nicht die optimale Temperatur erreicht hat. Dies kann auftreten: beim ersten Gebrauch, nach dem Abtauen und/oder Reinigen, falls große Mengen an Lebensmitteln in den Gefrierfachraum eingelegt werden oder wenn die Gefrierfachraumtür nicht korrekt geschlossen wurde.	Durch Drücken von Taste (1) oder Taste (6) wird der akustische Alarm abgestellt.



---

# SOMMAIRE

---

APERÇU.....	28
Informations générales.....	28
Panneau de commande.....	28
FONCTIONNEMENT.....	29
Première utilisation.....	29
Compartiment du réfrigérateur et conservation des aliments .....	29
Comment conserver des aliments frais et des boissons .....	29
Compartiment du congélateur stockage des aliments .....	30
Temps de conservation pour les aliments maisons surgelés.....	30
Compartiment congélateur.....	31
Bruits fonctionnels.....	31
Recommandation si l'appareil n'est pas utilisé.....	31
NETTOYAGE ET ENTRETIEN.....	32
Éclairage du réfrigérateur .....	32
Tablettes .....	32
Porte .....	32
Dépose du bac du réfrigérateur .....	33
DÉPANNAGE.....	35
ASSISTANCE.....	36

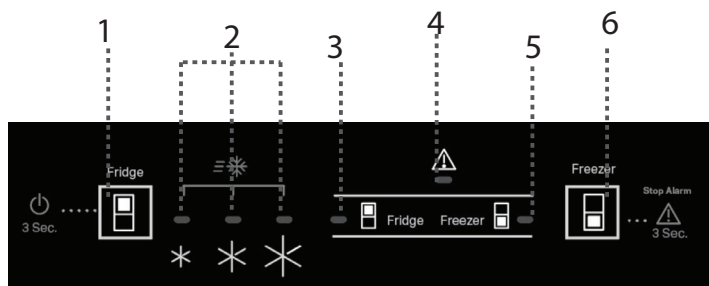
# GUIDE DE L'UTILISATEUR

## APERÇU

### INFORMATIONS GÉNÉRALES

Les tiroirs, paniers et tablettes doivent rester dans leur position sauf spécification différente dans le présent guide rapide. Le système d'éclairage à l'intérieur du compartiment réfrigérateur utilise une ampoule LED, ce qui permet un meilleur éclairage ainsi qu'une consommation d'énergie plus faible.

### PANNEAU DE COMMANDE



1. Température du réfrigérateur / Veille
2. Réglage du voyant de température
3. Témoin de réfrigérateur
4. Voyant Alarme
5. Témoin de Congélateur
6. Alarme de Température / Arrêt du congélateur

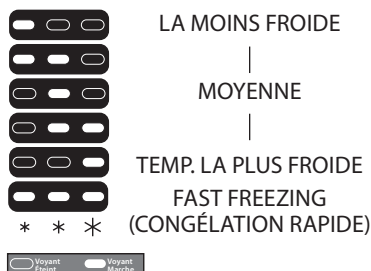
### RÉGLAGE DES TEMPÉRATURES

Appuyez sur le bouton Refrigerator (Réfrigérateur) pour régler une température différente dans le compartiment réfrigérateur.

*Le réglage recommandé pour le compartiment Réfrigérateur est MED (moyen)*

Appuyez sur le bouton Freezer (Congélateur) pour régler une température différente dans le compartiment congélateur.

*Le réglage recommandé pour le compartiment Congélateur est MED (moyen)*



### ON/STAND-BY (MARCHE/VEILLE)

Appuyez sur le bouton Température du réfrigérateur pendant 3 secondes pour allumer l'appareil en veille.

En mode Veille, la lumière dans le compartiment réfrigérateur ne s'allume pas. Appuyez de nouveau brièvement sur la touche pour réactiver l'appareil.

### FONCTION FAST FREEZE (CONGÉLATION RAPIDE)

Afin de conserver au mieux vos aliments, utilisez la fonction Congélation rapide avant de mettre une grande quantité d'aliments dans le compartiment du congélateur.

Appuyez sur le bouton (6) jusqu'à ce que les trois voyants soient allumés pour régler la fonction. La fonction s'éteint automatiquement après 26 heures, ou manuellement en sélectionnant une température de congélateur différente.

*Remarque : Éviter un contact direct entre les aliments frais et les aliments qui sont déjà congelés. Pour optimiser la vitesse de congélation, les tiroirs peuvent être enlevés et les aliments peuvent être placés directement sur le fond du compartiment.*

Pour éviter une augmentation du gaspillage alimentaire, consultez les réglages et le temps de stockage recommandés dans le chapitre FONCTIONNEMENT

# FONCTIONNEMENT

## PREMIÈRE UTILISATION

Attendre au moins deux heures après l'installation avant de brancher l'appareil à l'alimentation électrique. Brancher l'appareil à l'alimentation électrique démarre le fonctionnement automatiquement. Les températures idéales de stockage des aliments sont préréglées en usine.

Après avoir allumé l'appareil, vous devez patienter de 4 à 6 heures pour atteindre la température de conservation appropriée pour un appareil normalement rempli. Si le signal sonore retentit, cela signifie que l'alarme de température est intervenue : appuyez sur le bouton pour éteindre les alarmes sonores.

## COMPARTIMENT DU RÉFRIGÉRATEUR ET CONSERVATION DES ALIMENTS

Le compartiment réfrigérateur permet la conservation d'aliments frais et de boissons. Le compartiment réfrigérateur au complet se dégivre automatiquement. La présence occasionnelle de gouttes d'eau sur la paroi arrière interne du compartiment est un signe que le dégivrage automatique fonctionne. L'eau de dégivrage est acheminée jusqu'au drain où elle est récupérée dans un récipient avant de s'évaporer.

Remarque : la température interne des deux compartiments est influencée par la température ambiante, la fréquence d'ouverture des portes, et l'endroit où l'appareil est situé. Réglez les températures en fonction de ces facteurs. Dans des conditions très humides, de la condensation peut se former dans le compartiment réfrigérateur, surtout sur les tablettes en verre. Dans ce cas, il est conseillé de fermer les récipients contenant du liquide (par ex. une casserole remplie de bouillon), emballez les aliments avec une teneur en eau élevée (par ex. les légumes) et activez le ventilateur, s'il y en a un. Tous les tiroirs, les balconnets et toutes les tablettes peuvent être retiré(s).

## DISTRIBUTION D'AIR À FLUX MULTIPLES

Le flux multiple aide à répartir uniformément l'air froid dans la cavité pour une meilleure conservation des aliments. Les aliments peuvent être placés sur n'importe quelle étagère de l'appareil. Veuillez faire attention à ne pas obstruer les bouches d'aération en assurant ainsi le mouvement libre de l'air.

## SYSTÈME D'ÉCLAIRAGE

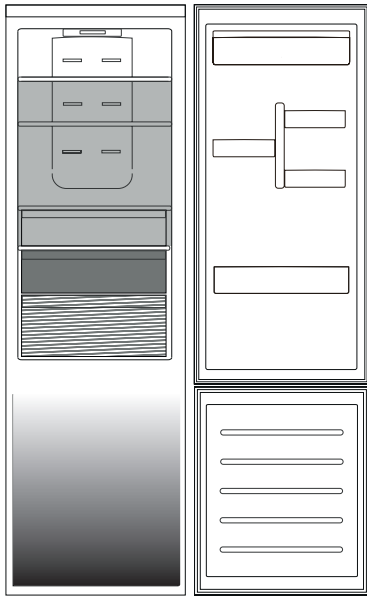


*Ce produit contient une source lumineuse supérieure de classe d'efficacité énergétique G*

## COMMENT CONSERVER DES ALIMENTS FRAIS ET DES BOISSONS

Les aliments qui produisent une grande quantité de gaz éthylène (pommes, abricots, pêches, avocats, figues, prunes, bleuets, melons, fèves) et ceux qui ne réagissent pas bien à ce gaz (fruits, légumes, salades) devraient toujours être séparés ou emballés pour ne pas réduire leur durée de conservation ; par exemple, n'entreposez pas les tomates avec les kiwis ou les choux. Afin de permettre une circulation d'air suffisante, ne placez pas les aliments trop près les uns des autres. Utilisez des récipients en plastique, en métal, en aluminium, et en verre recyclable, et une pellicule autocollante pour envelopper les aliments.

Pour la conservation d'une petite quantité d'aliments dans le réfrigérateur, nous vous conseillons d'utiliser les clayettes situées au-dessus du bac à fruits et légumes car cette zone est la plus froide du compartiment. Utilisez toujours des récipients fermés pour les liquides et les aliments qui pourraient laisser échapper ou absorber des odeurs, ou couvrez-les. Afin d'éviter que les bouteilles ne tombent, vous pouvez utiliser le porte-bouteilles (disponible sur certains modèles).



### Légende



#### TEMPÉRATURE ZONE

Recommandée pour la conservation des fruits tropicaux, conserves, boissons, œufs, sauces, marinades, beurre, confiture



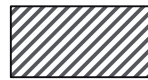
#### ZONE FROIDE

Recommandée pour conserver le fromage, lait, produits laitiers, charcuterie, yogourt



#### ZONE PLUS FROIDE


Recommandée pour la conservation des viandes froides, des desserts, du poisson et de la viande

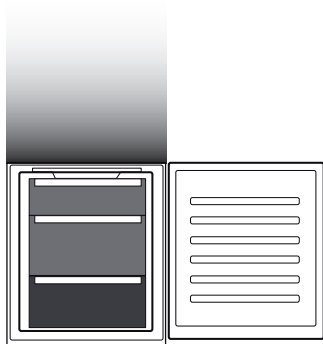


#### BAC À FRUITS & LÉGUMES

Les limites de charge sont déterminées par la construction particulière (paniers, contenants, volets, tiroirs, tablettes, etc) ou les limites de charge sont déterminées par des limites de charge naturelles.

## COMPARTIMENT DU CONGÉLATEUR STOCKAGE DES ALIMENTS

Le compartiment congélateur  permet une conservation de longue durée d'aliments congelés et la congélation d'aliments frais. La quantité d'aliments frais pouvant être congelés en 24 heures est inscrite sur la plaque signalétique. Placer les aliments frais dans la zone de congélation du compartiment congélateur en laissant assez d'espace autour des emballages pour permettre à l'air de circuler librement. Il est conseillé de ne pas recongeler des aliments partiellement décongelés. Il est important d'emballer les aliments de façon à empêcher l'eau, l'humidité, ou la condensation de s'infiltrer.



### Légende



#### BACS DU CONGÉLATEUR



#### BAC DE LA ZONE CONGÉLATION

(Zone froid max)

Conseillé pour congeler des aliments frais/cuit

### ENLEVEZ LES TIROIRS

Tirez le bac vers vous le plus loin possible, soulevez-le et retirez-le. Pour obtenir un volume supérieur, le compartiment congélateur peut être utilisé sans tiroirs. Assurez-vous que la porte soit convenablement fermée après avoir remis la nourriture sur les grilles/étagères.

## TEMPS DE CONSERVATION POUR LES ALIMENTS MAISONS SURGELÉS

# Zone de stockage

Mois

2-6

4-8

6-12



Aliments



## COMPARTIMENT CONGÉLATEUR

### Glaçons

Remplir le bac à glaçons au 2/3 d'eau et le replacer dans le compartiment congélateur. N'utilisez jamais d'objets tranchants ou pointus pour enlever la glace.

La quantité d'aliments frais pouvant être congelés en heures est inscrite sur la plaque signalétique.

Les limites de charge sont déterminées par des paniers, des volets, des tiroirs, des tablettes, etc. Assurez-vous que ces composants peuvent toujours se fermer facilement après avoir été chargés.

### Plateau de congélateur facile à manipuler

Zone d'accès facile dans le congélateur : il facilite la recherche et la prise de vos articles préférés.

### Système de refroidissement Total No Frost

Le système Total No Frost empêche efficacement la formation de givre, en évitant l'ennui d'un dégivrage manuel à la fois dans le compartiment congélateur et réfrigérateur.

Son système de ventilation fournit une parfaite circulation de l'air froid dans les deux cavités, en évitant ainsi la formation de glace.

## BRUITS FONCTIONNELS

1. Lorsque l'appareil fonctionne, il est normal d'entendre un bourdonnement provenant du compresseur.



2. Des gargouillements ou des craquements se font entendre lors du passage du gaz réfrigérant à l'intérieur du circuit de refroidissement; ces bruits sont tout à fait normaux.



3. Vous pouvez aussi « entendre » des craquements lorsque le compresseur est actif et inactif : ce bruit, causé par la structure de l'appareil, est normal.



4. Assurez-vous que les porte-bouteilles suspendus, les tablettes et les bacs du compartiment réfrigérateur sont bien placés et fixés pour éliminer les vibrations.
5. Ne laissez pas les récipients de verre (bouteilles, pots, etc.) se toucher pour éliminer les vibrations.
6. Cet appareil est muni d'un compresseur qui fonctionne à une vitesse optimale pour réduire la consommation d'énergie. Il est donc possible que dans certaines situations (en été ou lorsque vous introduisez de grandes quantités d'aliments) que la vitesse du compresseur augmente et qu'il soit ainsi plus bruyant.

## RECOMMANDATION SI L'APPAREIL N'EST PAS UTILISÉ

### Si l'appareil n'est pas utilisé

Débranchez l'appareil, videz-le, dégivrez-le (si nécessaire), et nettoyez-le.

Laissez les portes entrouvertes pour permettre à l'air de circuler à l'intérieur des compartiments. Cela permettra d'éviter la formation de moisissure et l'apparition de mauvaises odeurs.

### En cas de coupure de courant

Laissez les portes fermées pour garder les aliments froids le plus longtemps possible. Ne recongelez pas les aliments partiellement décongelés. En cas de coupure de courant prolongée, l'alarme de coupure de courant peut aussi s'activer (sur les produits avec système de surveillance électronique).

---

# NETTOYAGE ET ENTRETIEN

---

**Avant d'effectuer les opérations d'entretien ou de nettoyage, débranchez l'appareil de la fiche d'alimentation secteur ou coupez l'alimentation électrique.**  
**N'utilisez jamais d'agents abrasifs. Ne nettoyez jamais les accessoires du réfrigérateur avec des liquides inflammables.**  
**N'utilisez pas de nettoyeur à vapeur.**  
**Ne nettoyez pas les touches et l'affichage du bandeau de commande avec de l'alcool et des substances dérivées, mais avec un chiffon sec.**

Nettoyez l'appareil à intervalle régulier avec un chiffon imbibé d'eau chaude et d'un nettoyant neutre pour le nettoyage intérieur des réfrigérateurs.

---

## ÉCLAIRAGE DU RÉFRIGÉRATEUR

Le système d'éclairage à l'intérieur du compartiment réfrigérateur utilise une ampoule LED, ce qui permet un meilleur éclairage ainsi qu'une consommation d'énergie plus faible. Contactez le Service Après-Vente si une ampoule doit être remplacée.

**Important :** L'éclairage du compartiment réfrigérateur s'allume à l'ouverture de la porte.

---

## TABLETTES

Tous les tiroirs, les balconnets et toutes les tablettes peuvent être retiré(e)s.

---

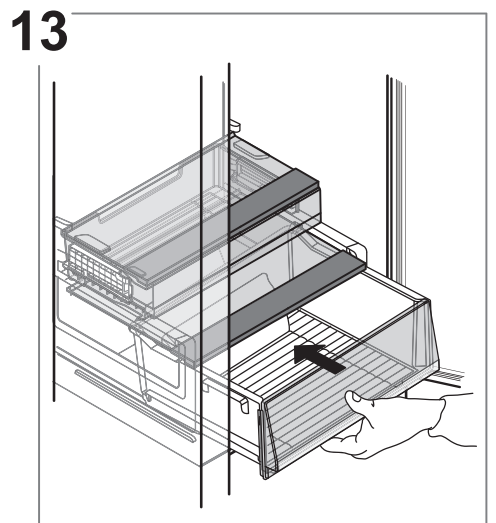
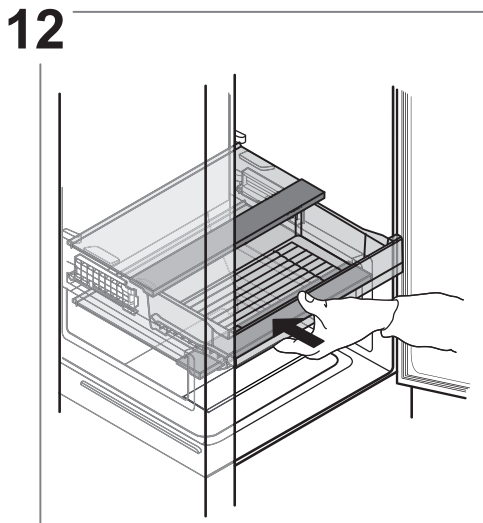
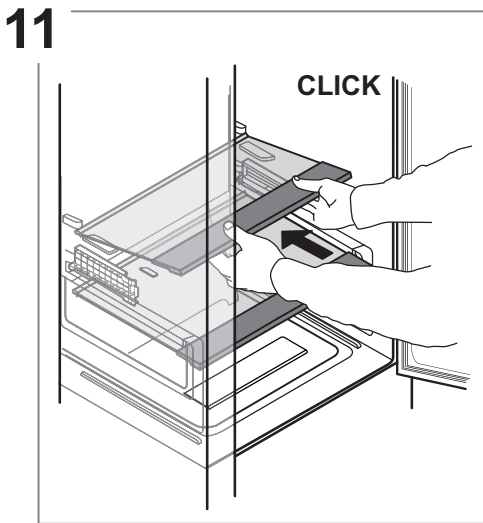
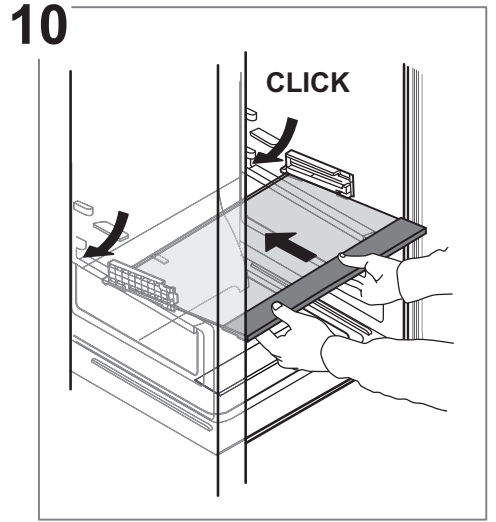
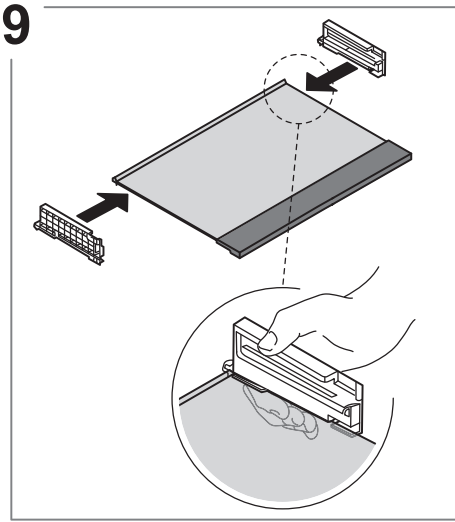
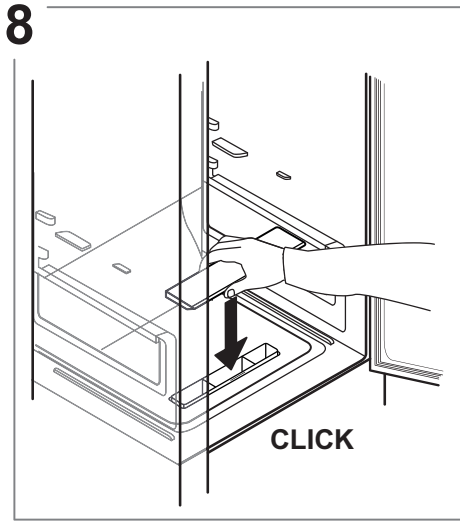
## PORTE

---

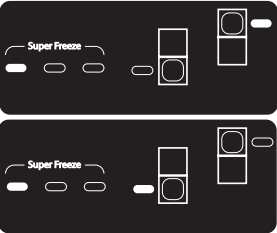
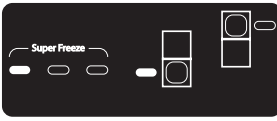
### RÉVERSIBILITÉ DE LA PORTE

Remarque : Le sens d'ouverture des portes peut être modifié. Si cette opération n'est pas effectuée par le Service Après-Vente, elle n'est pas couverte par la garantie. Suivez les instructions figurant au chapitre **Installation**.





# DÉPANNAGE

Que faire si...	Causes possibles	Solutions
Le panneau de commandes est éteint, l'appareil ne fonctionne pas.	L'appareil peut être en mode Marche/ Veille. Il se peut que l'alimentation de l'appareil présente une anomalie.	Activez l'appareil à l'aide de la touche 1. Vérifiez les points suivants : <ul style="list-style-type: none"> <li>• il n'y a pas de coupure de courant</li> <li>• la fiche est correctement insérée dans la prise et que l'interrupteur bipolaire (le cas échéant) se trouve dans la position correcte (c.-à-d. qu'il permet à l'appareil d'être alimenté)</li> <li>• les dispositifs de protection de l'installation électrique du foyer fonctionnent correctement</li> <li>• le câble d'alimentation n'est pas sectionné.</li> </ul>
L'éclairage intérieur ne fonctionne pas.	Il se peut que l'ampoule ait besoin d'être remplacée.  L'appareil peut être en mode Marche/ Veille.	Contactez le Service après-vente agréé.  Activez l'appareil à l'aide de la touche 1.
La température à l'intérieur des compartiments n'est pas assez basse.	Il peut y avoir plusieurs causes (voir « Solutions »).	Vérifiez les points suivants : <ul style="list-style-type: none"> <li>• les portes ferment correctement</li> <li>• l'appareil n'est pas situé près d'une source de chaleur</li> <li>• la température programmée est adéquate</li> <li>• rien n'obstrue la circulation d'air par les bouches situées en bas de l'appareil.</li> </ul>
Le pourtour frontal de l'appareil, au niveau du joint de porte, est chaud.	Ceci est tout à fait normal. Cela empêche la formation de condensation.	Aucune action n'est requise.
Le signal sonore retentit.	<b>Alarme de porte ouverte</b> Elle s'active lorsque la porte reste ouverte trop longtemps.	Fermez la porte de l'appareil pour désactiver le signal sonore.
	<b>Alarme Coupure de courant</b> Elle est activée en cas d'une panne de courant prolongée qui se traduit par une augmentation de la température du compartiment congélateur.  Remarque : Vous ne pouvez pas régler une autre température jusqu'à ce que l'alarme de panne soit désactivée.	Avant de désactiver le signal sonore, nous vous conseillons de prêter attention aux voyants de température du congélateur, qui correspondent à la température maximale atteinte dans le compartiment congélateur pendant la coupure de courant. Appuyez sur la touche « Arrêt alarme » pour désactiver le signal sonore. Après avoir appuyé sur la touche, le voyant de température indique une nouvelle fois les températures réglées. Si le compartiment congélateur n'a pas encore atteint sa température de conservation optimale, l'alarme de température peut être activée (voir Alarme de température du compartiment congélateur). Vérifiez les aliments avant de les consommer.
	<b>Alarme de température du compartiment congélateur</b> L'alarme de température du compartiment congélateur indique que la température dans le compartiment n'est pas optimale. Cela peut se produire : lors de la première utilisation, après le dégivrage et/ou le nettoyage, si une grande quantité d'aliments est placée dans le congélateur, ou si la porte du congélateur n'a pas été fermée correctement.	En appuyant sur le bouton (1) ou sur le bouton (6), l'alarme sonore est déclenchée.



**FRANKE.COM**

© Franke Technology and Trademark Ltd, Switzerland

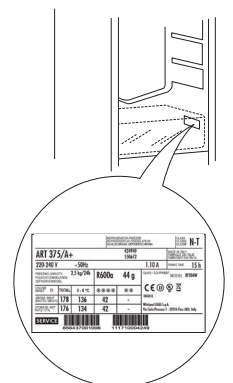
## ASSISTANCE

En cas de problèmes de fonctionnement, contactez un Centre de service après-vente Franke. N'utilisez jamais les services de techniciens non-agrèés.

**Communiquez :**

- le type de panne
- le modèle d'appareil (art./Code)
- le numéro de série (S.N.).

Lorsque vous contactez notre service après-vente, indiquez les codes fournis sur la plaque signalétique de vos produits.



---

# SOMMARIO

---

VISTA D'INSIEME .....	38
Informazioni generali .....	38
Pannello comandi .....	38
FUNZIONAMENTO .....	39
Primo utilizzo .....	39
Comparto frigorifero e conservazione degli alimenti .....	39
Come conservare alimenti e bevande freschi.....	39
Comparto congelatore per alimenti surgelati .....	40
Tempi di conservazione per gli alimenti congelati .....	40
Comparto congelatore .....	41
Suoni funzionali.....	41
Raccomandazioni in caso di non utilizzo dell'apparecchio.....	41
PULIZIA E MANUTENZIONE .....	42
Luce frigorifero .....	42
Ripiani .....	42
Porta .....	42
Rimozione del cassetto del frigorifero.....	43
ANOMALIE E RIMEDI.....	45
ASSISTENZA .....	46

# ISTRUZIONI PER L'USO

## VISTA D'INSIEME

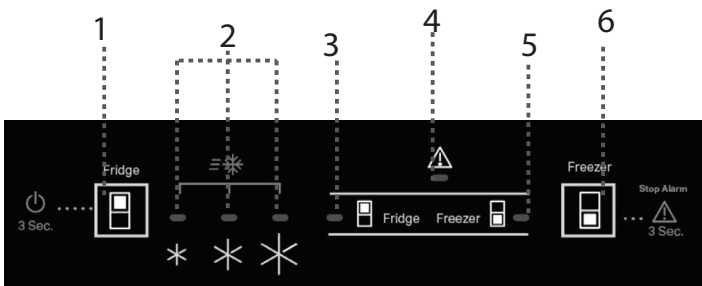
### INFORMAZIONI GENERALI

Se non specificato diversamente in questa guida rapida, cassetti, cestelli e ripiani devono restare nella posizione attuale. L'illuminazione interna del comparto frigorifero utilizza lampadine a LED, caratterizzate da un'illuminazione più intensa rispetto alle lampadine tradizionali e da un consumo energetico molto basso.

### SMALTIMENTO

Porte e coperchi devono essere rimossi dall'apparecchio refrigerante prima dello smaltimento in discarica, per evitare il rischio che bambini e animali vi rimangano intrappolati.

### PANNELLO COMANDI



1. Temperatura frigorifero / Stand-by
2. Impostazione indicatore temperatura
3. Indicatore frigorifero
4. Indicatore di allarme
5. Indicatore congelatore
6. Temperatura congelatore / Stop Alarm

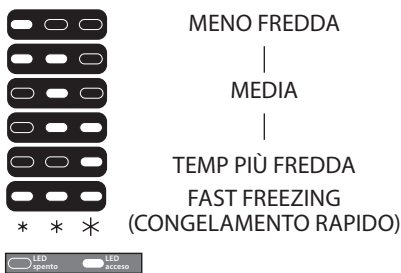
### IMPOSTAZIONE TEMPERATURA

Premere il pulsante frigorifero per impostare una temperatura diversa nel comparto frigorifero.

*L'impostazione consigliata per il comparto frigorifero è MED*

Premere il pulsante congelatore per impostare una temperatura diversa nel comparto congelatore.

*L'impostazione consigliata per il comparto congelatore è MED*



### ON/STAND-BY

Premere il pulsante temperatura frigorifero per 3 secondi per impostare l'apparecchio su stand-by.

Quando l'apparecchio è in stand-by, la luce del comparto frigorifero non si accende. Premere brevemente per riattivarlo.

### FUNZIONE FAST FREEZE (CONGELAMENTO RAPIDO)

Per conservare al meglio, utilizzare la funzione Congelamento Rapido prima di inserire una grande quantità di alimenti nella cavità del congelatore. Premere il tasto (6) fino a quando tutti e tre i led sono accesi per impostare la funzione. La funzione si spegne automaticamente dopo 26 ore, o manualmente selezionando diverse temperature del congelatore.

*Nota: Si prega di evitare il contatto diretto tra gli alimenti freschi e quelli già congelati. Per ottimizzare la velocità di congelamento, è possibile rimuovere il cassetto e collocare gli alimenti direttamente sul fondo del comparto.*

Per evitare un incremento degli scarti alimentari, consultare le impostazioni e i tempi di conservazione consigliati nel capitolo FUNZIONAMENTO

# FUNZIONAMENTO

## PRIMO UTILIZZO

Dopo l'installazione, attendere almeno due ore prima di collegare l'apparecchio alla rete elettrica. Una volta collegato alla rete di alimentazione, l'apparecchio si avvia automaticamente. Le temperature di conservazione ideali per gli alimenti sono preimpostate in fabbrica.

Dopo la messa in funzione, attendere 4-6 ore prima che venga raggiunta la temperatura di conservazione adeguata per un carico normale dell'apparecchio. Se viene emesso il segnale acustico, significa che è intervenuto l'allarme di temperatura: premere il tasto per disattivare l'allarme acustico.

## COMPARTO FRIGORIFERO E CONSERVAZIONE DEGLI ALIMENTI

Il comparto frigorifero consente la conservazione di alimenti freschi e bevande. Lo sbrinamento del comparto frigorifero è completamente automatico. La presenza periodica di goccioline d'acqua sulla parete posteriore interna del comparto evidenzia la fase di sbrinamento automatico. L'acqua di sbrinamento viene convogliata in un foro di scarico, quindi raccolta in un contenitore ove evapora.

Nota: la temperatura ambiente, la frequenza di apertura delle porte e la posizione dell'apparecchio possono influenzare le temperature interne dei due compartimenti. Impostare le temperature in funzione di questi fattori. In condizioni di forte umidità, nel comparto frigorifero e specialmente sui ripiani in vetro si può formare della condensa. In tal caso si consiglia di chiudere i contenitori con all'interno dei liquidi (esempio: pentole di brodo), confezionare gli alimenti ad elevato contenuto di umidità (esempio: verdure) e accendere la ventola, se presente. È possibile rimuovere i cassetti, i balconcini e i ripiani.

## VENTILAZIONE ARIA MULTIFLUSSO

Il multiflow aiuta a distribuire uniformemente l'aria fredda nella cavità per una migliore conservazione degli alimenti. Gli alimenti possono essere collocati su qualsiasi ripiano dell'apparecchio. Si prega di prestare attenzione a non ostruire le bocchette di distribuzione dell'aria, garantendo così la libera circolazione della stessa.

## SISTEMA DI ILLUMINAZIONE

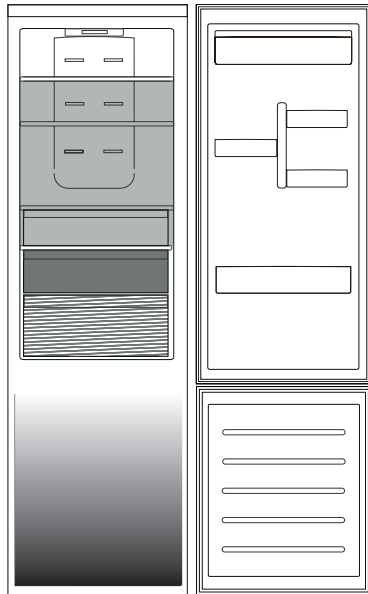


*Questo prodotto contiene una sorgente luminosa superiore con classe di efficienza energetica G*

## COME CONSERVARE ALIMENTI E BEVANDE FRESCI

Gli alimenti che emanano grandi quantità di etilene (mele, albicocche, pere, pesche, avocado, fichi, prugne, mirtilli, meloni, fagioli) o che sono sensibili a questo gas, come frutta, verdura e insalate, dovrebbero essere separati o avvolti per favorirne una conservazione più lunga; ad esempio, non conservare i pomodori insieme a cavoli o kiwi. Non disporre gli alimenti a distanza troppo ravvicinata, in modo da consentire una sufficiente circolazione dell'aria. Utilizzare contenitori di metallo, alluminio, vetro e plastica riciclabile e avvolgere gli alimenti con una pellicola trasparente.

Se gli alimenti da conservare nel frigorifero occupano solo una parte dello spazio disponibile, si consiglia di utilizzare i ripiani sopra il cassetto frutta e verdura in quanto è la zona più fredda del comparto. Utilizzare sempre contenitori chiusi per i liquidi e per gli alimenti che potrebbero emettere odori o essere contaminati da odori o aromi. Per evitare la caduta delle bottiglie, usare l'apposito accessorio di tenuta (disponibile in alcuni modelli).




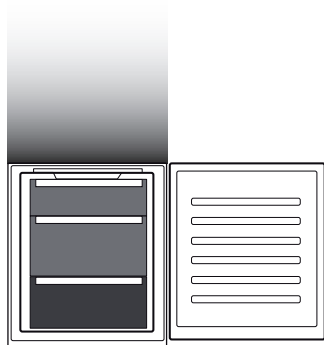
### Legenda

-  **ZONA TEMPERATA**  
Consigliata per conservare frutta tropicale, lattine, bevande, uova, salse, sottaceti, burro, conserve
-  **ZONA FREDDA**  
Consigliata per conservare formaggio, latte, latticini, piatti pronti, yogurt
-  **ZONA PIÙ FREDDA**  
Consigliata per la conservazione di affettati, dessert, pesce e carne
-  **CASSETTO FRUTTA E VERDURA**


I limiti di carico dipendono dalla costruzione dell'apparecchio (cestelli, contenitori, antine, cassette, ripiani, ecc.), o dalla capienza massima.

## COMPARTO CONGELATORE PER ALIMENTI SURGELATI

Il comparto congelatore  è adatto per la conservazione a lungo termine dei surgelati e per il congelamento di alimenti freschi. La quantità degli alimenti freschi che è possibile congelare in 24 ore è riportata sulla targhetta matricola. Sistemare gli alimenti freschi nella zona di congelamento del comparto congelatore, lasciando sufficiente spazio attorno alle confezioni per consentire la libera circolazione dell'aria. È consigliabile non ricongelare gli alimenti parzialmente scongelati. È importante avvolgere gli alimenti in modo da evitare l'ingresso di acqua, umidità o condensa.



### Legenda

-  **CASSETTI CONGELATORE**
-  **CASSETTO ZONA CONGELAMENTO**  
(zona di massimo freddo)  
Consigliata per il congelamento di alimenti freschi o già cotti

### RIMOZIONE DEI CASSETTI

Tirare i cassetti verso l'esterno fino a fondo corsa, sollevarli leggermente ed estrarli. Per aumentare il volume disponibile, il comparto congelatore può essere utilizzato senza i cassetti. Verificare che, dopo avere riposto gli alimenti sulle griglie e sui ripiani, la porta si chiuda correttamente.

## TEMPI DI CONSERVAZIONE PER GLI ALIMENTI CONGELATI

# Zona di conservazione

Mesi			
			
Alimento			
			

## COMPARTO CONGELATORE

### Cubetti di ghiaccio

Riempire d'acqua per 2/3 la vaschetta del ghiaccio e riporla nel comparto congelatore. In nessun caso utilizzare oggetti appuntiti o taglienti per rimuovere il ghiaccio.

La quantità di alimenti freschi che è possibile congelare in un determinato arco di tempo è riportata sulla targhetta matricola.

Il carico massimo dipende da cestelli, antine, cassette, ripiani, ecc. Verificare che questi componenti possano chiudersi facilmente dopo avere caricato l'apparecchio.

### Vassoio congelatore Easy Take

Zona di facile accesso nel congelatore: trovare e prendere gli elementi preferiti con facilità.

### Sistema Total No Frost

Il sistema Total No Frost previene efficacemente la formazione di ghiaccio, evitando il fastidio dello sbrinamento manuale sia nella cavità del congelatore sia in quella del frigorifero.

Il suo sistema di ventilazione fornisce una perfetta circolazione dell'aria fredda in entrambe le cavità evitando così l'accumulo di ghiaccio.

## SUONI FUNZIONALI

1. Durante il funzionamento del prodotto è normale che il compressore emetta un ronzio.



2. Il passaggio del gas refrigerante nel circuito di raffreddamento genera gorgoglii e crepitii, che sono perciò da considerare normali.



3. È possibile "sentire" dei cigolii quando il compressore si attiva o si disattiva: questi rumori sono normali e sono dovuti alla struttura del prodotto.



4. Controllare che i balconcini della porta, i ripiani e i cassette del comparto frigorifero siano posizionati e fissati correttamente, per evitare possibili vibrazioni.
5. Non disporre recipienti di vetro (bottiglie, vasetti, ecc.) a contatto diretto tra loro, per evitare vibrazioni.
6. Questo dispositivo è dotato di un compressore che opera a una velocità ottimale per ridurre al minimo il consumo di energia. In alcune situazioni (in estate o quando vengono introdotte grandi quantità di alimenti), è possibile che il compressore operi a una velocità più elevata e risulti perciò più rumoroso del solito.

## RACCOMANDAZIONI IN CASO DI NON UTILIZZO DELL'APPARECCHIO

### In caso di non utilizzo dell'apparecchio

Scollegare l'apparecchio dall'alimentazione elettrica, svuotarlo, sbrinarlo (se necessario) e pulirlo.

Mantenere leggermente socchiuse le porte tanto da far circolare l'aria all'interno dei comparti. In tal modo si evita la formazione di muffa e cattivi odori.

### In caso di interruzioni di corrente

Tenere chiuse le porte, in tal modo gli alimenti rimarranno freddi il più a lungo possibile. Non ricongelare gli alimenti parzialmente scongelati. In caso di interruzione prolungata potrebbe attivarsi anche l'allarme black-out (nei prodotti con elettronica).

---

# PULIZIA E MANUTENZIONE

---

**Prima di eseguire qualsiasi operazione di manutenzione o pulizia, disinserire la spina dalla presa di corrente o scollegare l'apparecchio dall'alimentazione elettrica.**  
**Non utilizzare prodotti abrasivi. Non pulire i componenti del frigorifero con liquidi infiammabili.**  
**Non utilizzare pulitrici a getto di vapore.**  
**Non pulire i tasti e il display del pannello comandi con alcool o sostanze da esso derivate, ma sempre con un panno asciutto.**

Pulire periodicamente l'apparecchio utilizzando un panno ed una soluzione di acqua tiepida e detergenti neutri specifici per la pulizia interna del frigorifero.

## LUCE FRIGORIFERO

---

L'illuminazione interna del comparto frigorifero utilizza lampadine a LED, caratterizzate da un'illuminazione più intensa rispetto alle lampadine tradizionali e da un consumo energetico molto basso. Per richiedere i pezzi di ricambio, rivolgersi al Servizio Assistenza.

**Importante:** la spia del comparto frigorifero si accende quando si apre la porta del frigorifero.

## RIPIANI

---

è possibile rimuovere i cassetti, i balconcini e i ripiani.

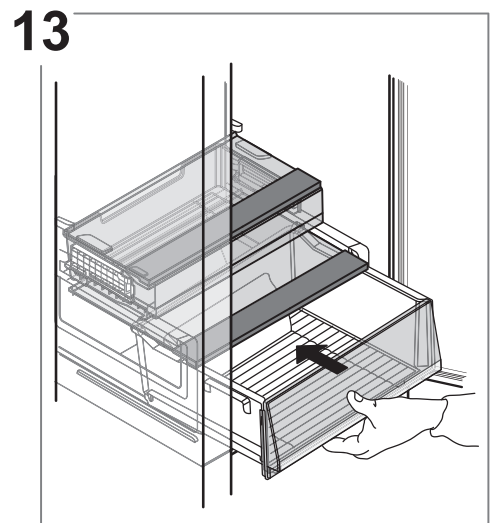
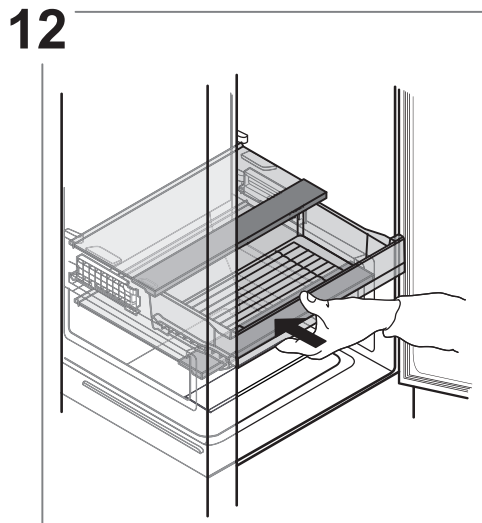
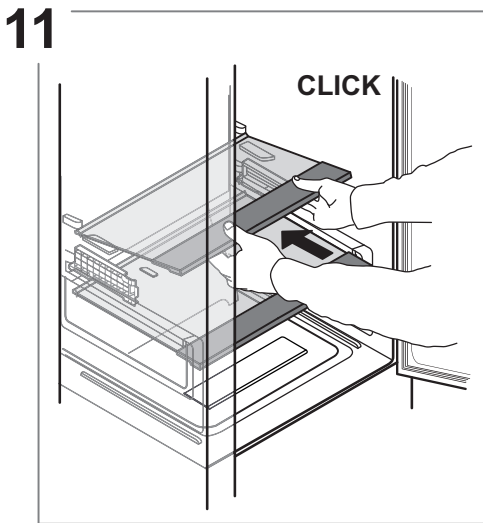
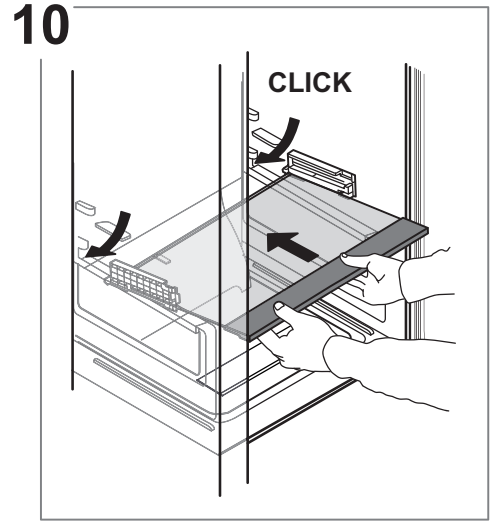
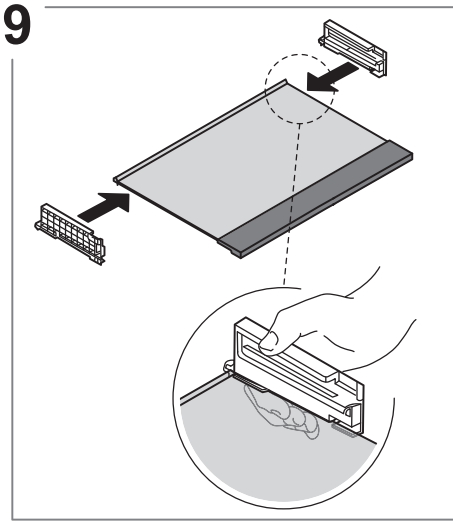
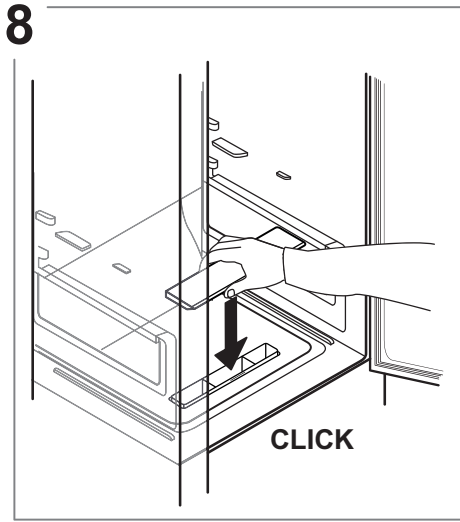
## PORTA

---

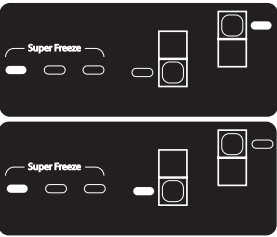

### REVERSIBILITÀ PORTA

Nota: La direzione di apertura della porta può essere modificata. Questa operazione è coperta da garanzia solo se viene eseguita dal Servizio Assistenza. Seguire le istruzioni fornite nel capitolo **Installazione**.





# ANOMALIE E RIMEDI

Cosa fare se...	Possibili cause	Soluzioni
Il pannello comandi è spento, l'apparecchio non funziona.	L'apparecchio potrebbe essere in modalità On/Standby. Può essere presente un problema di alimentazione dell'apparecchio.	Attivare l'apparecchio con il tasto 1. Verificare che: <ul style="list-style-type: none"> <li>• non vi sia un'interruzione di corrente</li> <li>• la spina sia ben inserita nella presa di corrente e che l'interruttore bipolare della rete di alimentazione (se presente) si trovi nella posizione corretta (ovvero consente l'alimentazione dell'apparecchio);</li> <li>• le protezioni dell'impianto elettrico dell'abitazione siano funzionanti</li> <li>• il cavo di alimentazione non sia danneggiato.</li> </ul>
La luce interna non funziona.	Può essere necessario sostituire la spia.	Rivolgersi al Servizio Assistenza autorizzato.
	L'apparecchio potrebbe essere in modalità On/Standby.	Attivare l'apparecchio con il tasto 1.
La temperatura all'interno dei compartimenti non è sufficientemente fredda.	Le cause possono essere diverse (vedere "Rimedi").	Verificare che: <ul style="list-style-type: none"> <li>• le porte si chiudano correttamente;</li> <li>• l'apparecchio non sia installato in prossimità di una fonte di calore;</li> <li>• la temperatura impostata sia adeguata;</li> <li>• la circolazione dell'aria attraverso le griglie di ventilazione alla base dell'apparecchio non sia ostruita.</li> </ul>
Il lato anteriore dell'apparecchio, in corrispondenza della guarnizione della porta, è molto caldo.	Non si tratta di un difetto. Impedisce la formazione della condensa.	Non è richiesta alcuna soluzione.
Segnali acustici.	<b>Allarme di porta aperta</b> Si attiva quando la porta rimane aperta a lungo.	Chiudere le porte per disattivare l'allarme acustico.
	<b>Allarme black out</b> Si attiva quando un'interruzione prolungata della corrente elettrica causa un aumento della temperatura nel comparto congelatore.  Nota: fino a quando non viene disattivato l'allarme di black out, non è possibile impostare una temperatura differente per l'apparecchio.	Prima di disattivare il segnale acustico, si consiglia di prestare attenzione ai led temperatura Congelatore, corrispondenti alla massima temperatura raggiunta nel comparto congelatore durante il black out. Premere brevemente il tasto "Arresto allarme" per disattivare il segnale acustico. Dopo aver premuto il pulsante, il led della temperatura mostra nuovamente le temperature impostate. Se il comparto congelatore non ha ancora raggiunto la temperatura ottimale per la conservazione degli alimenti, è possibile che si attivi l'allarme temperatura (vedere la sezione "Allarme di temperatura comparto congelatore"). Controllare lo stato degli alimenti prima di procedere al loro consumo.
	<b>Allarme di temperatura comparto congelatore</b> Questo allarme indica che il comparto congelatore non si trova alla temperatura ottimale. Questo può accadere: al primo utilizzo, dopo lo sbrinamento e/o la pulizia, in caso di congelamento di grandi quantità di alimenti o quando la porta del congelatore non è stata chiusa perfettamente.	Premendo il pulsante (1) o il pulsante (6) l'allarme acustico viene disattivato

**FRANKE.COM**

© Franke Technology and Trademark Ltd, Switzerland

## ASSISTENZA

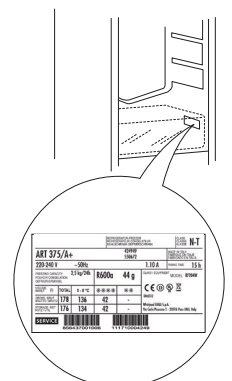
In caso di problemi di funzionamento, contattare un Centro Assistenza Tecnica Franke.

Non rivolgersi a tecnici non autorizzati.

**Comunicare:**

- il tipo di difetto
- il modello di apparecchio (codice art.)
- il numero di serie (S.N.).

Quando si contatta il Centro Assistenza, comunicare i codici presenti sulla targhetta matricola del prodotto.



# ÍNDICE

DESCRIPCIÓN GENERAL .....	48
Información general .....	48
Panel de control .....	48
FUNCIONAMIENTO.....	49
Primer uso .....	49
Compartimento del frigorífico y conservación de alimentos .....	49
Cómo almacenar alimentos frescos y bebidas .....	49
Conservación de alimentos en el compartimento del congelador .....	50
Tiempo de conservación de alimentos congelados.....	50
Compartimento del congelador.....	51
Sonidos funcionales .....	51
Recomendación en caso de falta de uso del aparato .....	51
LIMPIEZA Y MANTENIMIENTO .....	52
Luz del frigorífico .....	52
Estantes.....	52
Puerta.....	52
Desmontaje del cajón de la nevera .....	53
RESOLUCIÓN DE PROBLEMAS .....	55
ASISTENCIA .....	56

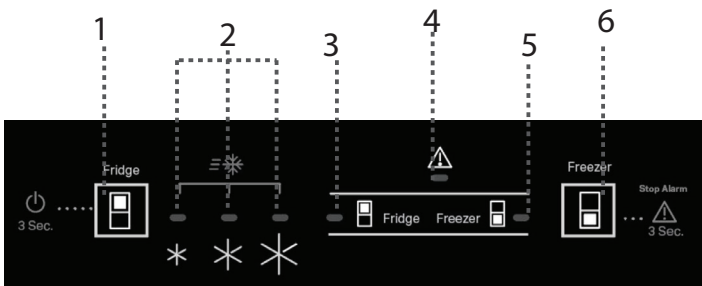
# GUÍA DEL USUARIO

## DESCRIPCIÓN GENERAL

### INFORMACIÓN GENERAL

Los cajones, cestas y estantes deben permanecer en su sitio a menos que se especifique lo contrario en esta guía rápida. El sistema de iluminación del interior del compartimento del frigorífico emplea luces led, lo que permite una mejor iluminación y un consumo energético muy bajo.

### PANEL DE CONTROL



### ELIMINACIÓN

Las puertas y tapas del aparato de refrigeración deben retirarse antes de desecharse, para evitar que niños o animales queden atrapados dentro.

1. Temperatura del frigorífico/Modo de espera
2. Ajuste del indicador de temperatura
3. Indicador del frigorífico
4. Indicador de alarma
5. Indicador del congelador
6. Temperatura del congelador/Desactivación de la alarma

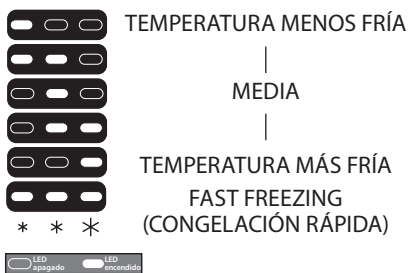
### CONFIGURACIÓN DE LAS TEMPERATURAS

Pulse el botón del frigorífico para ajustar una temperatura diferente en el compartimento del frigorífico.

*La configuración recomendada para el compartimento del frigorífico es MED*

Pulse el botón del congelador para ajustar una temperatura diferente en el compartimento del congelador.

*La configuración recomendada para el compartimento del congelador es MED*



### ENCENDIDO/EN ESPERA

Pulse el botón de temperatura del frigorífico durante 3 segundos para poner el aparato en modo de espera.

En el modo de espera, la luz del compartimento frigorífico no se enciende. Vuelva a pulsar el botón brevemente para volver a activar el aparato.

### FUNCIÓN FAST FREEZE (CONGELACIÓN RÁPIDA)

A fin de optimizar la capacidad de conservación de los alimentos, utilice la función de congelación rápida antes de colocar una gran cantidad de alimentos en el compartimento del congelador.

Pulse el botón (6) hasta que los tres ledes estén encendidos para ajustar la función.

La función se desactiva automáticamente transcurridas 26 horas, o manualmente seleccionando una temperatura del congelador diferente.

*Nota: Evite que los alimentos frescos entren en contacto con los alimentos ya congelados. Para optimizar la velocidad de congelación, se pueden extraer los cajones y colocar los alimentos directamente en la parte inferior del compartimento.*

Para evitar un aumento del desperdicio de alimentos, consulte la configuración recomendada y el Tiempo de Conservación en el apartado OPERACIÓN

# FUNCIONAMIENTO

## PRIMER USO

Espere como mínimo dos horas tras la instalación para conectar el aparato al suministro eléctrico. El aparato se pondrá en marcha automáticamente al conectarlo al suministro eléctrico. Las temperaturas ideales para almacenar alimentos se pre-establecen en fábrica.

Después de activar el aparato, es necesario esperar 4-6 horas para que pueda alcanzarse la temperatura de conservación correcta para un aparato con carga normal. Si suena una señal acústica, significa que se ha activado la alarma de temperatura: pulse el botón para apagar las alarmas acústicas.

## COMPARTIMENTO DEL FRIGORÍFICO Y CONSERVACIÓN DE ALIMENTOS

El compartimento frigorífico permite conservar alimentos frescos y bebidas. La descongelación del compartimento frigorífico es totalmente automática. La presencia ocasional de gotas de agua en la pared posterior interna del compartimento indica que se está produciendo la fase de descongelación automática. El agua de descongelación pasa a un orificio de desagüe y después a un recipiente, donde se evapora.

Nota: la temperatura ambiente, la frecuencia con la que se abran las puertas y la ubicación del aparato pueden afectar a las temperaturas internas de los dos compartimentos. Programe las temperaturas teniendo en cuenta estos factores. En condiciones muy húmedas se puede formar condensación en el compartimento frigorífico, especialmente en los estantes de cristal. En este caso, se recomienda cerrar los recipientes que contengan líquidos (p. ej. ollas con caldo), envolver los alimentos con alto contenido en humedad (p. ej. verduras) y conectar el ventilador, si está disponible. Todos los cajones, los estantes de la puerta y los estantes pueden extraerse.

## DISTRIBUCIÓN DE AIRE DE FLUJO MÚLTIPLE

El flujo múltiple ayuda a distribuir uniformemente el aire frío en la cavidad para una mejor conservación de los alimentos. Los alimentos se pueden colocar en cualquier estante del aparato. Procure no obstruir los conductos de distribución de aire para garantizar su libre circulación.

## SISTEMA DE ILUMINACIÓN

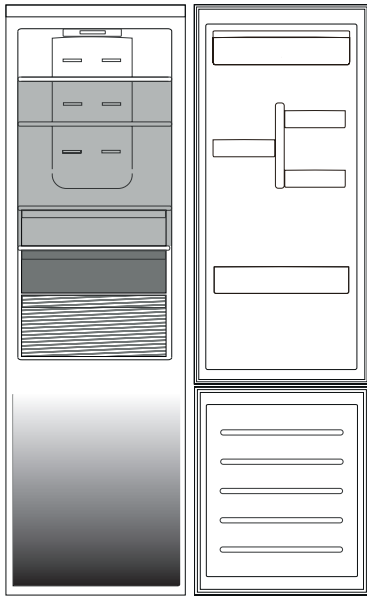


*Este producto incluye una fuente de luz con una clase de eficiencia energética G*

## CÓMO ALMACENAR ALIMENTOS FRESCOS Y BEBIDAS

Los alimentos que desprenden mucho gas etileno (manzanas, albaricoques, peras, melocotones, aguacates, higos, ciruelas, arándanos, melones o judías) y aquellos que son sensibles a este gas, como las frutas y verduras o la lechuga, deben conservarse siempre en compartimentos separados o envolverse para no reducir su tiempo de conservación; Por ejemplo, no debe conservar los tomates junto con los kiwis o la col. No coloque los alimentos muy juntos para permitir una adecuada circulación de aire. Utilice recipientes reciclables de plástico, metal, aluminio y cristal o film transparente para envolver los alimentos.

Si tiene que almacenar poca cantidad de alimentos en el frigorífico, recomendamos utilizar los estantes de encima del cajón para frutas y verduras ya que es la parte del compartimento mejor refrigerada. Utilice siempre contenedores con tapa para líquidos y alimentos que puedan desprender o tomar olor o sabor de otros alimentos o cúbralos. Para evitar que se vuelquen las botellas, puede utilizar soporte para botellas (disponibles en algunos modelos).



### Leyenda



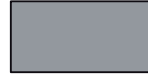
#### ZONA DE TEMPERATURA

Recomendada para la conservación de frutas tropicales, latas, bebidas, huevos, salsas, encurtidos, mantequilla, mermelada



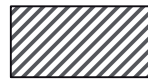
#### ZONA FRÍA

Recomendada para la conservación de queso, leche, productos de consumo diario, delicatessen y yogures



#### ZONA MÁS FRÍA


Recomendada para la conservación de fiambre, postres, carne y pescado

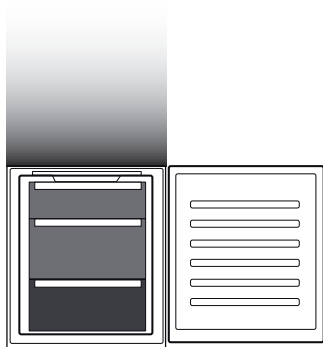


#### CAJÓN PARA FRUTAS Y VERDURAS

Los límites de carga están determinados por la disposición particular (cestas, recipientes, solapas, cajones, estantes, etc.), o los límites de carga están determinados por los límites de carga natural.

## CONSERVACIÓN DE ALIMENTOS EN EL COMPARTIMENTO DEL CONGELADOR

El compartimento del congelador  permite almacenar alimentos congelados durante largos periodos de tiempo y congelar alimentos frescos. La cantidad de alimentos frescos que es posible congelar en 24 horas se indica en la placa de características. Coloque los alimentos frescos que desee congelar en la zona de congelación del compartimento del congelador dejando suficiente espacio alrededor de los alimentos para que el aire circule libremente. Se aconseja no volver a congelar los alimentos que se hayan descongelado parcialmente. Es importante envolver bien los alimentos para que no pueda pasar agua, humedad o condensación.



### Leyenda



#### CAJONES DEL CONGELADOR



#### CAJÓN DE LA ZONA DE CONGELACIÓN (Zona frío máx.)

Recomendada para congelar alimentos frescos/cocinados

### CÓMO EXTRAER LOS CAJONES

Tire de los cajones hacia fuera todo lo posible, levántelos y extráigalos. Para obtener más volumen, el compartimento del congelador se puede usar sin los cajones. Asegúrese de que la puerta esté bien cerrada una vez colocados los alimentos en las rejillas o los estantes.

## TIEMPO DE CONSERVACIÓN DE ALIMENTOS CONGELADOS

# Zona de tienda

Meses

2-6

4-8

6-12



Alimentos



## COMPARTIMENTO DEL CONGELADOR

### Cubitos de hielo

Llene con agua 2/3 de la bandeja para hielo y vuelva a colocarla en el compartimento del congelador. No utilice objetos puntiagudos o cortantes para sacar el hielo bajo ninguna circunstancia.

La cantidad de alimentos frescos que es posible congelar en un periodo específico de tiempo se indica en la placa de características.

Los límites de carga están determinados por las cestas, solapas, cajones, estantes, etc. Asegúrese de que dichos componentes siguen pudiéndose cerrar tras la carga.

### Bandeja de congelador de fácil acceso

Zona de fácil acceso del congelador: para encontrar y coger fácilmente los alimentos preferidos.

### Sistema Total No Frost

El sistema Total No Frost previene eficazmente la formación de hielo y evita el engorro de tener que descongelar manualmente el compartimento del congelador y del frigorífico.

Su sistema de ventilación proporciona una perfecta circulación de aire frío en ambos compartimentos, lo que evita la formación de hielo.

## SONIDOS FUNCIONALES

1. Es normal que el compresor emita un zumbido mientras el producto está en funcionamiento.



2. Los gorgoteos y crujidos los provoca el paso del gas refrigerante por el interior del circuito de refrigeración, por lo que se trata de sonidos normales.



3. Es posible "oír" chirridos cuando el compresor está activo e inactivo: es un sonido normal en la estructura del producto.



4. Compruebe que los estantes del interior de la puerta del frigorífico y los estantes y cajones del compartimento frigorífico están correctamente fijados y colocados para evitar posibles vibraciones.
5. No coloque recipientes de vidrio (botellas, tarros, etc.) en contacto directo entre ellos para evitar vibraciones.
6. Este dispositivo está equipado con un compresor que funciona a una velocidad óptima para minimizar el consumo de energía. Por lo tanto, puede suceder que en ciertas situaciones (en verano o si se introducen grandes cantidades de alimentos) el compresor aumente la velocidad y, como consecuencia, sea más ruidoso de lo habitual.

## RECOMENDACIÓN EN CASO DE FALTA DE USO DEL APARATO

### Si el aparato no se utiliza

Desenchufe el aparato de la alimentación eléctrica, vacíelo, descongélelo (en caso necesario) y límpielo.

Mantenga las puertas ligeramente abiertas para que el aire pueda circular entre los compartimentos. De este modo se evitará la formación de moho y malos olores.

### En caso de interrupciones de corriente

Mantenga las puertas cerradas para que los alimentos se mantengan fríos el mayor tiempo posible. No vuelva a congelar alimentos parcialmente descongelados. Si se produce un corte de alimentación prolongado, es posible que también se active la alarma de corte del suministro eléctrico (en productos con sistemas electrónicos).

---

# LIMPIEZA Y MANTENIMIENTO

---

**Antes de realizar cualquier tarea de limpieza o mantenimiento, desenchufe el aparato de la red eléctrica o desconecte la alimentación.**

**No utilice nunca productos abrasivos. No limpie los componentes del frigorífico con líquidos inflamables.**

**No utilice aparatos de limpieza con vapor.**

**Los botones y la pantalla del panel de control no deben limpiarse con alcohol ni con sustancias derivadas del alcohol, sino con un paño seco.**

Limpie el aparato de forma ocasional con un paño y una solución de agua tibia y detergentes neutros específicos para la limpieza del interior del frigorífico.

---

## LUZ DEL FRIGORÍFICO

El sistema de iluminación del interior del compartimento del frigorífico emplea luces led, lo que permite una mejor iluminación y un consumo energético muy bajo. Póngase en contacto con el Servicio de Asistencia Técnica si necesita sustituirlas.

**Importante:** La luz del compartimento frigorífico se enciende cuando se abre la puerta del frigorífico.

---

## ESTANTES

Todos los cajones, los estantes de la puerta y los estantes pueden extraerse.

---

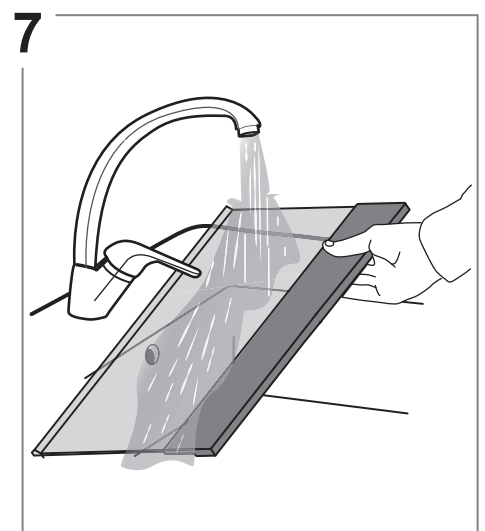
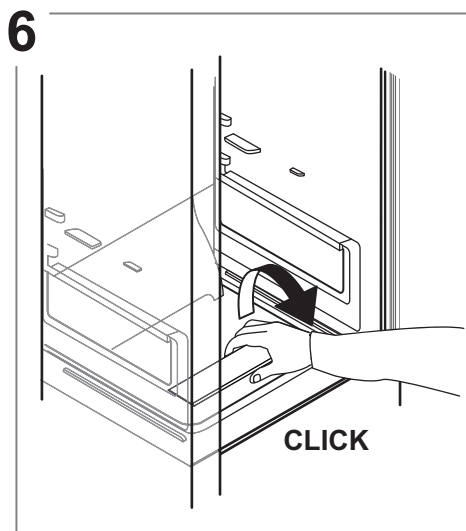
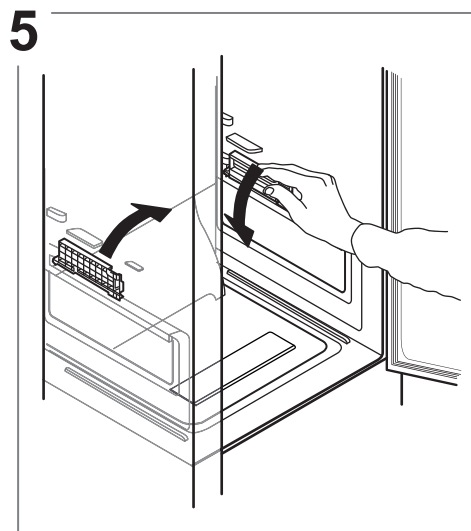
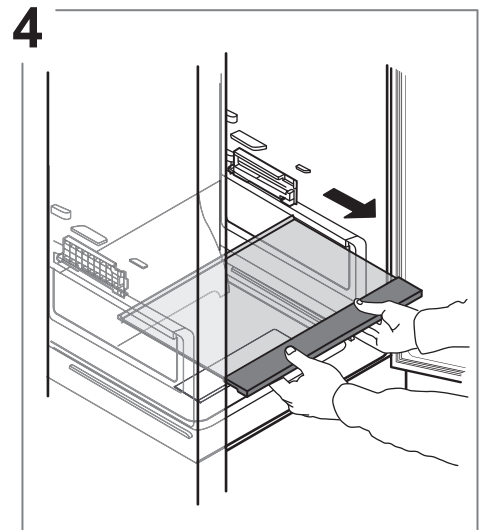
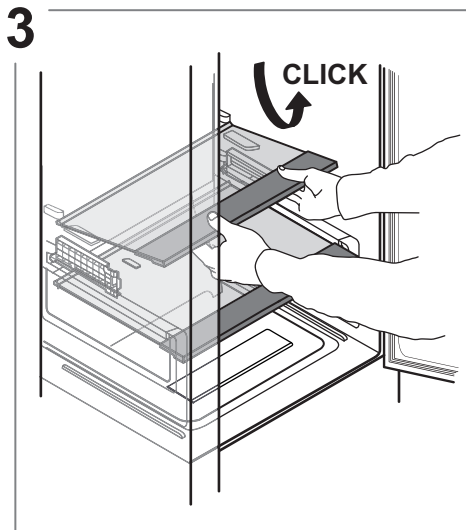
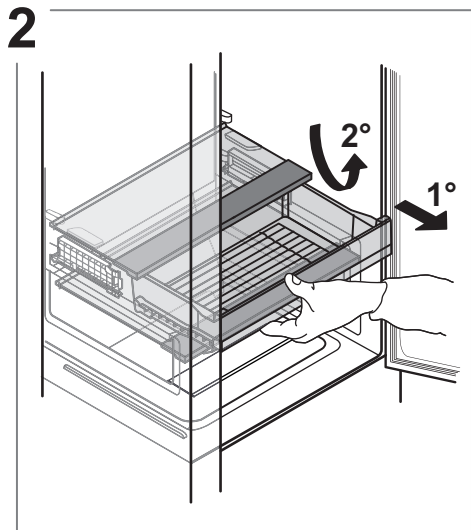
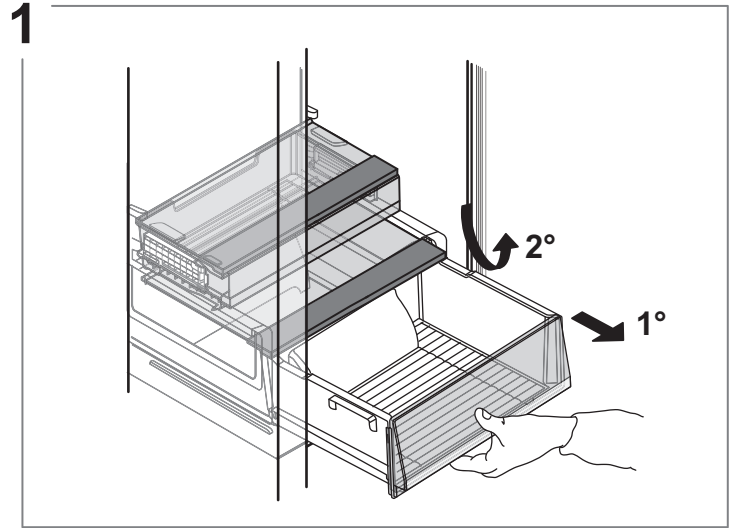
## PUERTA

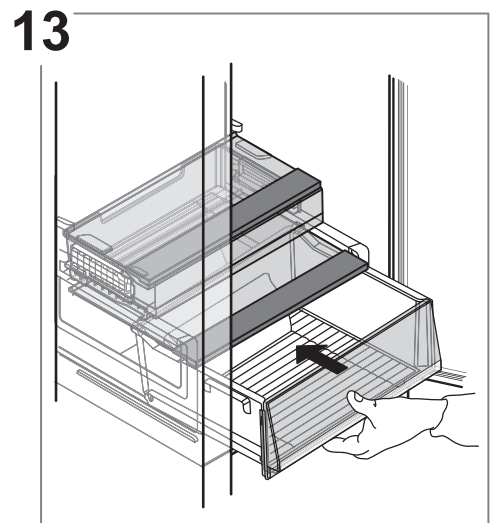
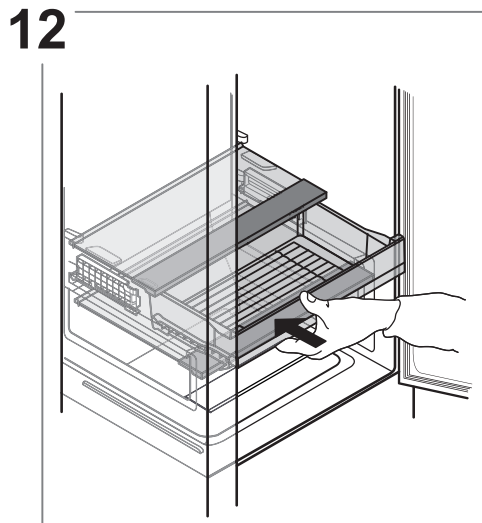
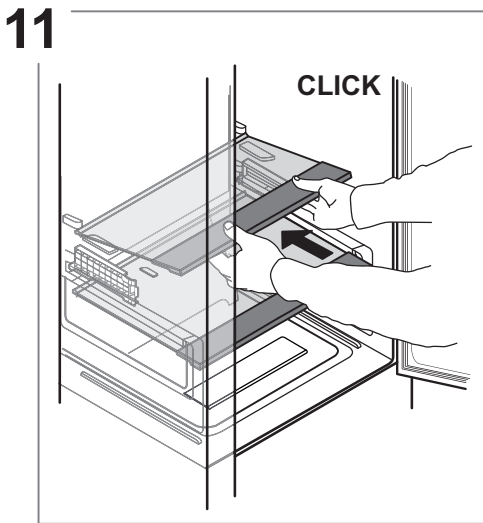
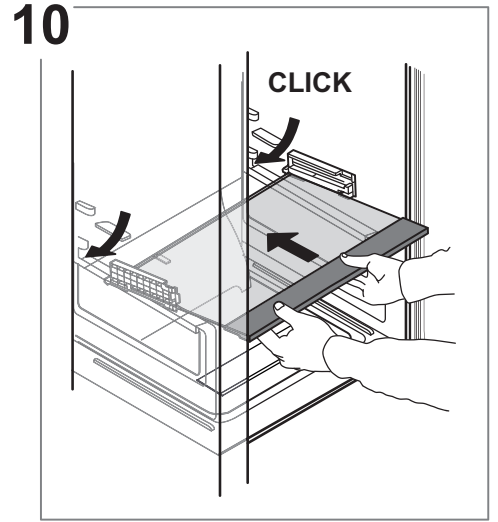
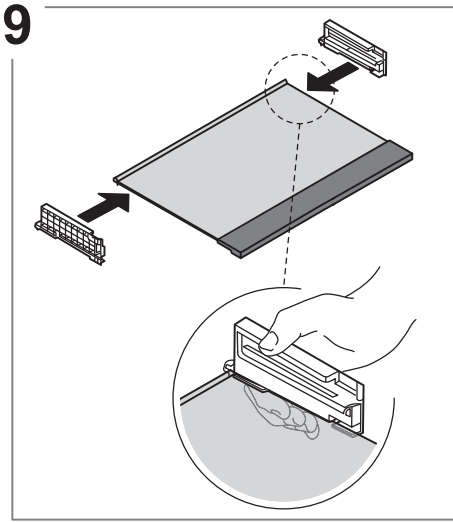
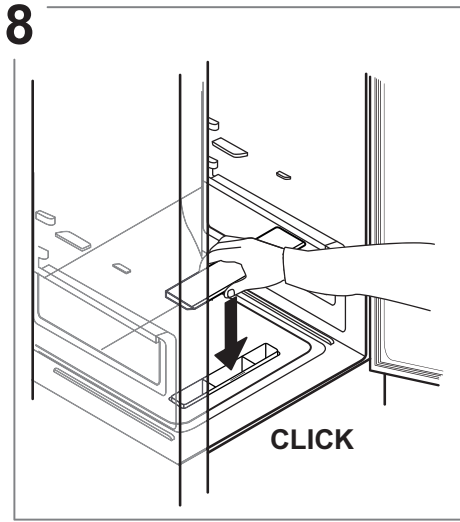
---

### REVERSIBILIDAD DE LA PUERTA

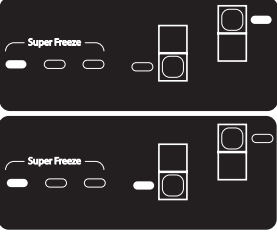

Nota: El sentido de apertura de la puerta se puede cambiar. Si esta operación no la realiza el Servicio Postventa y no está cubierta por la garantía. Siga las instrucciones del apartado de **Instalación**.

DESMONTAJE DEL CAJÓN DE LA NEVERA





# RESOLUCIÓN DE PROBLEMAS

Qué hacer si...	Posibles razones	Soluciones
El panel de control está desconectado, el aparato no funciona.	Puede que el aparato esté en modo Encendido/En espera. Es posible que se haya producido un problema de alimentación eléctrica.	Active el electrodoméstico con el botón 1. Asegúrese de que: <ul style="list-style-type: none"> <li>no haya un fallo de corriente</li> <li>el enchufe esté bien introducido en la toma y el interruptor bipolar de la toma eléctrica (si procede) esté bien colocado (es decir, permita que el aparato reciba alimentación)</li> <li>los dispositivos de protección del sistema eléctrico doméstico funcionan correctamente</li> <li>el cable de alimentación no esté roto.</li> </ul>
La luz interior no funciona.	Puede que se tenga que sustituir la luz.	Póngase en contacto con un centro de asistencia técnica autorizado.
	Puede que el aparato esté en modo Encendido/En espera.	Active el electrodoméstico con el botón 1.
La temperatura en interior de los compartimentos no es suficientemente baja.	Esto puede deberse a diversas razones (consulte «Soluciones»).	Asegúrese de que: <ul style="list-style-type: none"> <li>las puertas cierren correctamente</li> <li>el aparato no esté instalado junto a una fuente de calor</li> <li>la temperatura ajustada es adecuada</li> <li>la circulación del aire a través de las ranuras de ventilación en la base del aparato no esté obstruida.</li> </ul>
El borde delantero del aparato, en la junta del resbalón de la puerta, está caliente.	No se trata de un defecto. Evita que pueda formarse condensación.	No es necesario realizar ninguna acción.
Suena una señal acústica.	<b>Alarma de puerta abierta</b> Se activa cuando la puerta permanece abierta durante mucho tiempo.	Cierre las puertas del producto para desactivar la señal acústica.
	<b>Alarma de corte del suministro</b> Se activa en caso de que se produzca una falta de suministro prolongada que pueda causar un aumento de la temperatura del compartimento del congelador.  Nota: No se puede establecer una temperatura distinta para el producto hasta que la alarma de corte del suministro no se desactive.	Antes de desactivar la alarma acústica, se recomienda prestar atención a los LED de temperatura del congelador, que se corresponde con la temperatura más alta alcanzada en el compartimento del congelador durante el corte de corriente. Pulse el botón de desactivación de la alarma brevemente para desactivar la señal acústica. Después de pulsar el botón, el LED de temperatura volverá a mostrar el ajuste de temperatura. Si el compartimento del congelador no ha alcanzado la temperatura de conservación óptima, puede que se active la alarma de temperatura del compartimento del congelador (consulte «Alarma de temperatura del compartimento del congelador»). Compruebe que los alimentos estén en condiciones antes de consumirlos.
	<b>Alarma de temperatura del compartimento del congelador</b> La alarma de temperatura del compartimento del congelador indica que el compartimento no se encuentra a la temperatura óptima. Puede ocurrir: cuando se utiliza por primera vez aparato, después de descongelarlo o limpiarlo, si se introduce una gran cantidad de alimentos en el congelador o cuando la puerta del congelador no se ha cerrado correctamente.	Presionando los botones botón (1) o botón (6), la alarma acústica se apaga



# ÍNDICE

VISTA GERAL .....	58
Informação geral .....	58
Painel de controlo .....	58
FUNCIONAMENTO .....	59
Utilizar pela primeira vez .....	59
Compartimento do frigorífico e armazenamento de alimentos .....	59
Como armazenar alimentos frescos e bebidas .....	59
Compartimento do congelador de armazenamento de alimentos .....	60
Tempo de armazenamento recomendado para alimentos congelados .....	60
Compartimento do congelador .....	61
Sons funcionais .....	61
Recomendação em caso de não utilização do aparelho .....	61
LIMPEZA E MANUTENÇÃO .....	62
Luz do frigorífico .....	62
Prateleiras .....	62
Porta .....	62
Retirar a gaveta do frigorífico .....	63
RESOLUÇÃO DE PROBLEMAS .....	65
SUORTE .....	66

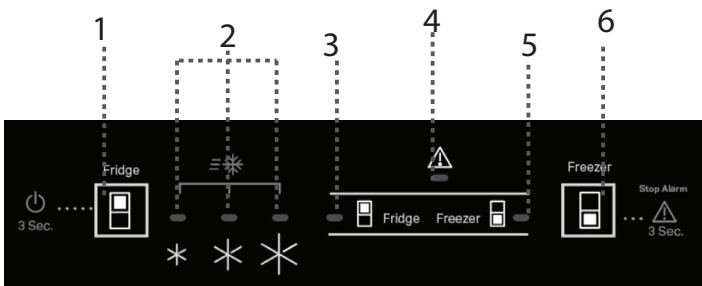
# GUIA DO UTILIZADOR

## VISTA GERAL

### INFORMAÇÃO GERAL

As gavetas, cestos e prateleiras devem permanecer na posição atual, exceto se especificado de outra forma neste guia rápido. O sistema de iluminação no interior do compartimento do frigorífico dispõe de uma lâmpada LED, o que permite uma melhor iluminação comparativamente com as lâmpadas tradicionais, bem como um consumo de energia muito reduzido.

### PAINEL DE CONTROLO



1. Temperatura do frigorífico / Stand By
2. Definição do indicador de temperatura
3. Indicador do frigorífico
4. Indicador do alarme
5. Indicador do congelador
6. Temperatura congelador/ Parar alarme

### DEFINIR AS TEMPERATURAS

Prima o botão do frigorífico para definir uma temperatura diferente para o compartimento do frigorífico.

*A definição recomendada para o compartimento do frigorífico é "MED" (média)*

Prima o botão do congelador para definir uma temperatura diferente para o compartimento do congelador.

*A definição recomendada para o compartimento do congelador é "MED" (média)*



### LIGADO/EM REPOUSO

Prima o botão da temperatura do frigorífico durante 3 segundos para ligar o aparelho no modo de repouso (stand-by).

Quando o aparelho está em modo de repouso (Stand-By), a luz no interior do compartimento do frigorífico não funciona. Pressione de novo o botão para tornar a ligar o aparelho.

### FUNÇÃO FAST FREEZE (CONGELAÇÃO RÁPIDA)

Para conservar os alimentos de forma ideal, utilize a função de Congelação Rápida antes de colocar uma grande quantidade de alimentos no compartimento do congelador.

Prima o botão (6) até que os três LEDs se acendam, indicando que é possível selecionar a função. A função desliga-se automaticamente após 26 horas, ou manualmente selecionando uma outra temperatura do congelador.

*Nota: Evite o contacto direto entre os alimentos frescos e os alimentos já congelados. Para otimizar a velocidade de congelação, as gavetas podem ser retiradas e os alimentos colocados diretamente no fundo do compartimento.*

Para evitar um aumento no desperdício de alimentos, consulte a configuração recomendada e o Tempo de Armazenamento no capítulo FUNCIONAMENTO

# FUNCIONAMENTO

## UTILIZAR PELA PRIMEIRA VEZ

Aguarde, pelo menos, duas horas após a instalação para ligar o aparelho à fonte de alimentação. Ligue o aparelho à eletricidade e este começará a trabalhar automaticamente. As temperaturas ideais para armazenar os alimentos vêm predefinidas de fábrica.

Após ligar o aparelho, deve esperar entre 4 e 6 horas para que seja atingida a temperatura correta de armazenamento relativa a um aparelho com a carga normal. Quando o alarme soa, significa que o alarme da temperatura foi ativado: prima o botão para desligar os alarmes sonoros.

## COMPARTIMENTO DO FRIGORÍFICO E ARMAZENAMENTO DE ALIMENTOS

O compartimento do frigorífico permite guardar alimentos frescos e bebidas. O compartimento frigorífico descongela completamente de forma automática. A presença ocasional de gotas de água na parte traseira interna do compartimento, indica a fase de descongelamento automático. A água de descongelação é automaticamente canalizada para um dreno e recolhida num recipiente, onde irá evaporar.

Nota: a temperatura ambiente, a frequência com que são abertas as portas e a posição do aparelho podem influenciar a temperatura interna de ambos os compartimentos. Programe as temperaturas de acordo com estes fatores. Em condições de muita humidade, pode ocorrer condensação no compartimento do frigorífico, especialmente nas prateleiras de vidro. Neste caso, recomenda-se que feche os recipientes que contêm líquidos (como por exemplo um recipiente com caldo), embrulhe os alimentos com elevado teor de água (como por exemplo legumes) e ligue a ventoinha, caso exista. Todas as gavetas, prateleiras da porta e outras prateleiras podem ser retiradas.

## DISTRIBUIÇÃO DE AR MULTIFLUXO

A função multifluxo ajuda a distribuir o ar frio uniformemente em todo o compartimento, de forma a conservar melhor os alimentos. Os alimentos podem ser colocados em qualquer uma das prateleiras do aparelho. Tenha cuidado para não obstruir as aberturas da distribuição de ar, garantindo assim o seu movimento livremente.

## SISTEMA DE ILUMINAÇÃO

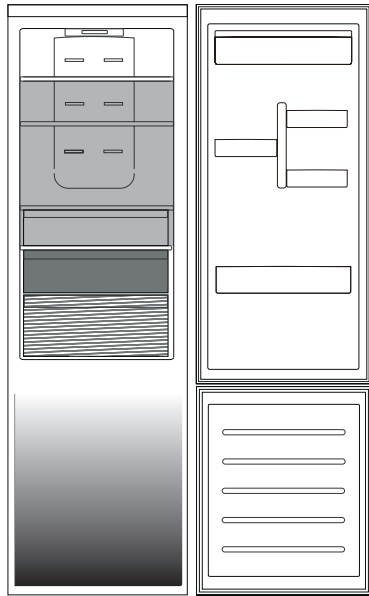


*Este produto contém uma fonte de luz superior da classe de eficiência energética G*





## COMO ARMAZENAR ALIMENTOS FRESCOS E BEBIDAS

Os alimentos que libertem uma grande quantidade de etileno (maças, damascos, peras, pêssegos, abacates, figos, ameixas, frutos vermelhos, melões, feijão) e que sejam sensíveis a este gás, tais como as frutas e os vegetais, devem ser armazenados em separado ou cobertos de forma a não reduzir o seu prazo de validade; por exemplo, não armazene tomates juntamente com kiwis ou couves. Não guarde alimentos muito perto um dos outros para permitir uma suficiente circulação de ar. Use recipientes de plástico reciclável, metal, alumínio e vidro e película aderente para embrulhar os alimentos.

Se tiver uma pequena quantidade de alimento para guardar no compartimento frigorífico, recomendamos que utilize as prateleiras acima da gaveta de vegetais pois esta é a área mais fresca do compartimento. Feche sempre bem ou cubra os recipientes de líquidos e alimentos que possam entornar ou que possam ser contaminados por transferência de outros odores ou sabores. Para evitar que as garrafas caiam, pode usar o suporte para garrafas (disponível em modelos selecionados).




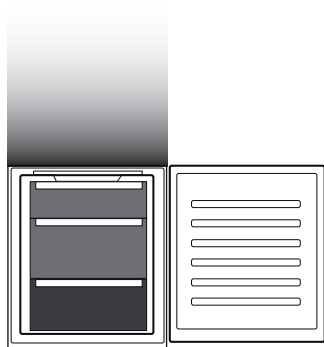
### Legenda

-  **ZONA TEMPERATURA**  
Recomendada para o armazenamento de frutas tropicais, latas, bebidas, ovos, molhos, pickles, manteiga e compotas
-  **ZONA FRESCA**  
Recomendada para o armazenamento de queijo, leite, laticínios, charcutaria, iogurtes
-  **ÁREA MAIS FRESCA**  
Recomendada para o armazenamento de charcutaria, sobremesas, peixe e carne
-  **GAVETA PARA FRUTAS E LEGUMES**



Os limites de carga tanto são determinados pela construção específica (cestos, recipientes, abas, gavetas, prateleiras, etc.), como pelos limites de carga naturais.

## COMPARTIMENTO DO CONGELADOR DE ARMAZENAMENTO DE ALIMENTOS

O compartimento do congelador  permite o armazenamento de comida congelada e congelação de comida fresca durante um longo tempo. A quantidade de alimentos frescos que pode ser congelada em 24 horas, encontra-se indicada na placa de características. Organize os alimentos frescos na área de congelação no interior do compartimento do congelador, deixando espaço suficiente à volta das embalagens de alimentos para que o ar circule livremente. Recomenda-se que não torne a congelar os alimentos que já descongelaram parcialmente. É importante embrulhar os alimentos de forma a evitar que entre água, humidade ou condensação.



### Legenda

-  **GAVETAS DO CONGELADOR**
-  **GAVETA ZONA CONGELAÇÃO**  
(Máx. zona fresca)  
Recomendada para congelar alimentos frescos/cozinhados

### REMOVER AS GAVETAS

Puxe as gavetas para fora até prenderem, levante-as e retire-as para fora. Para obter mais volume, o compartimento do congelador poderá ser utilizado sem gavetas. Certifique-se de que a porta está corretamente fechada após voltar a colocar a comida nas grelhas/prateleiras.

## TEMPO DE ARMAZENAMENTO RECOMENDADO PARA ALIMENTOS CONGELADOS

# Zona de Armazenamento

Meses	2-6	4-8	6-12
Alimento			
			
			

## COMPARTIMENTO DO CONGELADOR

### Cubos de gelo

Encha 2/3 das cuvetes de gelo com água e coloque-as no compartimento do congelador. Não utilize em caso algum, objetos afiados ou pontiagudos para remover o gelo.

A quantidade de alimentos frescos que pode ser congelada num período de tempo específico, encontra-se indicada na placa de características.

Os limites de carga são determinados pelos cestos, abas, gavetas, prateleiras, etc. Certifique-se de que os componentes podem fechar-se com facilidade após o armazenamento.

### Cuvete de gelo de remoção fácil

Zona de fácil acesso no congelador: fácil de encontrar e remover os seus itens favoritos.

### Sistema Total No Frost

O sistema Total No Frost previne eficazmente a formação de gelo, evitando o incómodo do descongelamento manual tanto do compartimento do congelador, como do compartimento do frigorífico.

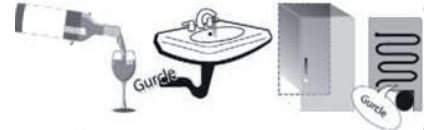
O seu sistema de ventilação fornece a circulação ideal de ar frio em ambos os compartimentos evitando, assim, a formação de gelo.

## SONS FUNCIONAIS

1. O compressor gera um zumbido durante o funcionamento do aparelho; esta situação é normal.



2. A passagem do gás refrigerante no interior do circuito de refrigeração gera sons gorgolejantes e crepitações, pelo que estes sons são normais.



3. É possível que oiça crepitações quando o compressor é ativado e desativado: trata-se de um som normal proveniente da estrutura do produto.



4. Certifique-se de que as prateleiras existentes no interior da porta do frigorífico, bem como as gavetas do compartimento do mesmo se encontram fixas e posicionadas corretamente para evitar potenciais vibrações.
5. Não coloque recipientes de vidro (garrafas, jarros, etc.) em contacto direto uns com os outros para evitar quaisquer vibrações.
6. Este aparelho encontra-se equipado com um compressor que opera a uma velocidade mínima de forma a otimizar o consumo de energia. Como tal, em determinadas situações (durante o verão ou se armazenar grandes quantidades de alimentos) o compressor pode aumentar a sua velocidade e produzir mais ruído do que o habitual.

## RECOMENDAÇÃO EM CASO DE NÃO UTILIZAÇÃO DO APARELHO

### Em caso de não utilização do aparelho

Desligue o aparelho da tomada, despeje-o, descongele-o (se necessário) e limpe-o.

Mantenha as portas ligeiramente abertas para que o ar circule no interior dos compartimentos. Ao fazer isto, evita a formação de bolor e maus odores.

### Em caso de interrupção no abastecimento de corrente

Mantenha as portas fechadas para que os alimentos se mantenham frios o máximo de tempo possível.

Não torne a congelar alimentos que já tenha sido parcialmente descongelados. Se a falha de corrente for prolongada, poderá ser também ativado o alarme de falha de energia (em aparelhos com componente eletrónica).

---

# LIMPEZA E MANUTENÇÃO

---

**Antes de efetuar qualquer operação de limpeza ou manutenção, retire a ficha da tomada ou desligue a corrente elétrica.**  
**Nunca utilize abrasivos. Nunca limpe as peças do congelador com líquidos inflamáveis.**  
**Não utilize aparelhos de limpeza a vapor.**  
**Os botões e o visor do painel de controlo não devem ser limpos com álcool ou substâncias derivadas do álcool, mas sim com um pano seco.**

Limpe o aparelho ocasionalmente com um pano e uma solução de água morna e agente de limpeza neutro, especificamente quando limpar o interior do frigorífico.

---

## LUZ DO FRIGORÍFICO

O sistema de iluminação no interior do compartimento do frigorífico dispõe de uma lâmpada LED, o que permite uma melhor iluminação comparativamente com as lâmpadas tradicionais, bem como um consumo de energia muito reduzido. Se precisar de substituição, contacte o Serviço de Assistência Técnica.

**Importante:** A luz do compartimento frigorífico acende-se ao abrir a porta do frigorífico.

---

## PRATELEIRAS

Todas as gavetas, prateleiras da porta e outras prateleiras podem ser retiradas.

---

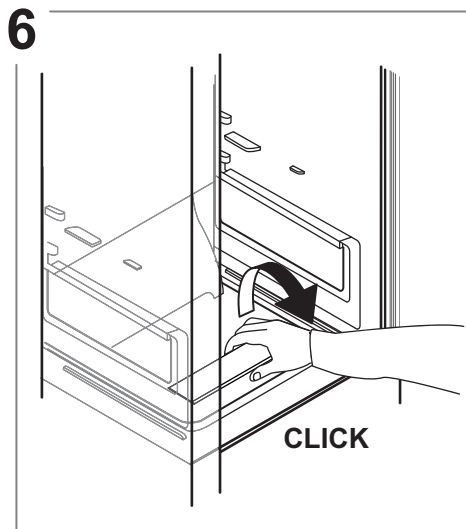
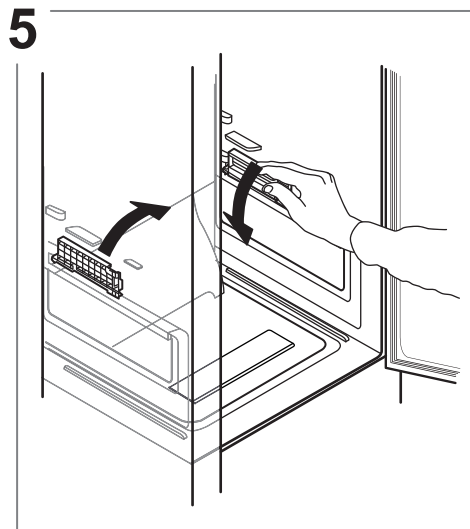
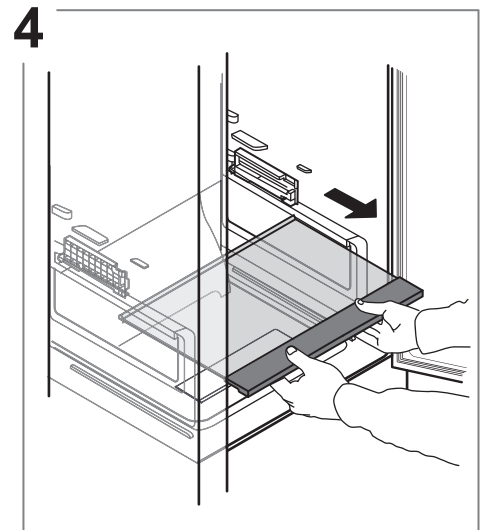
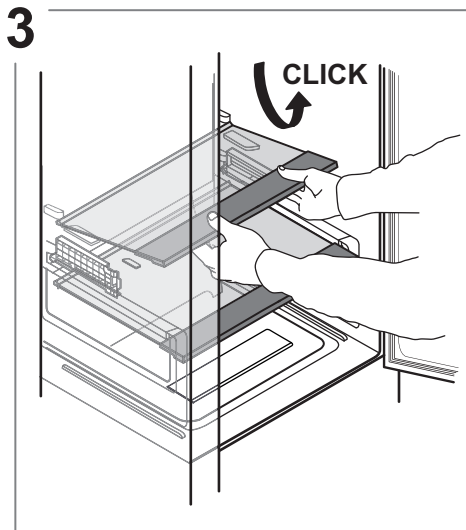
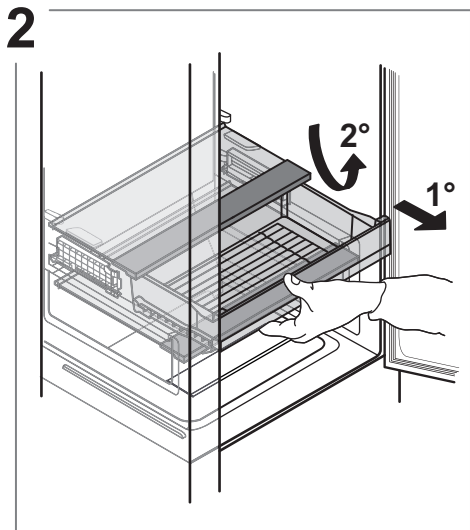
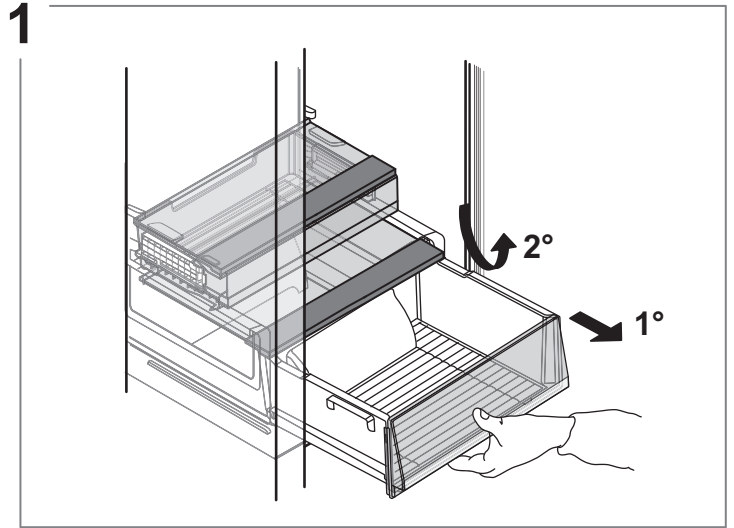
## PORTA

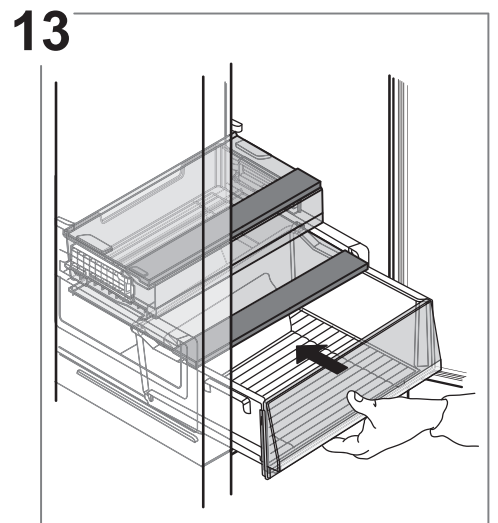
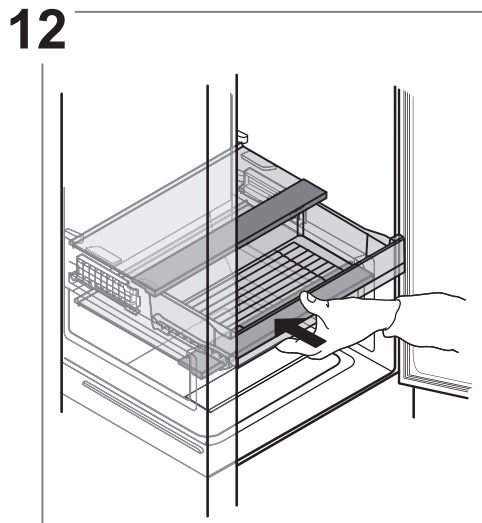
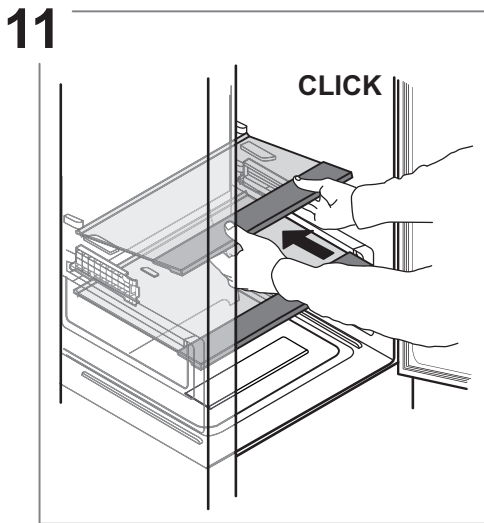
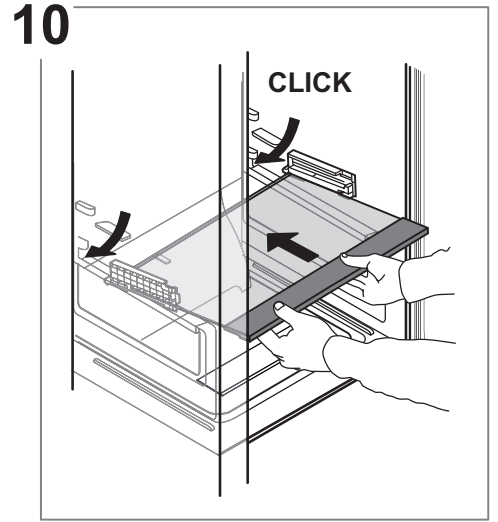
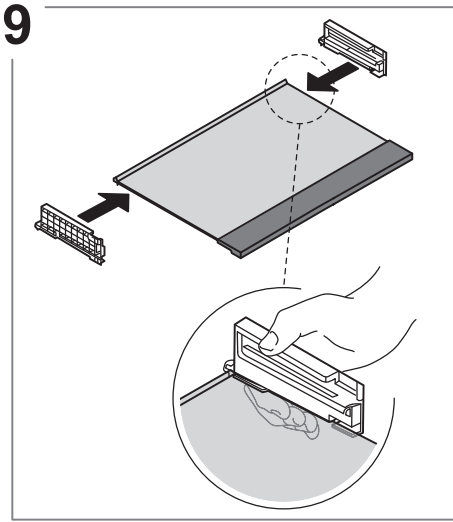
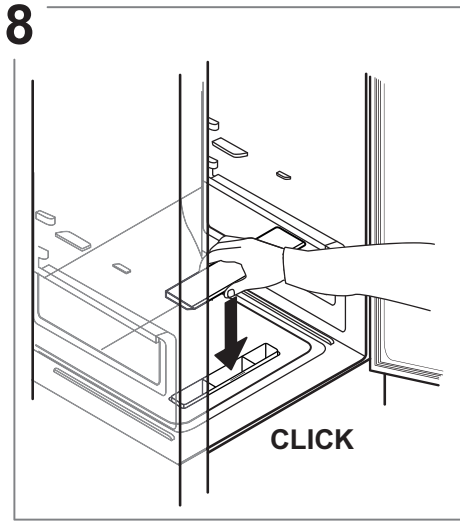
---

### REVERSIBILIDADE DAS PORTAS

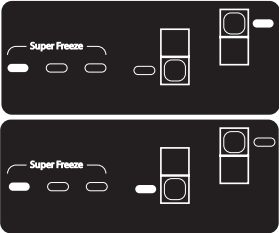
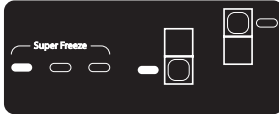
Nota: A direção em que a porta é aberta pode ser alterada. Se esta operação não for realizada pelo Serviço Pós-Venda, não será coberta pela garantia. Siga as instruções contidas no capítulo de **Instalação**.

# RETIRAR A GAVETA DO FRIGORÍFICO





# RESOLUÇÃO DE PROBLEMAS

O que fazer em caso de...	Razões possíveis	Soluções
O painel de controlo está desligado, o aparelho não funciona.	O aparelho pode estar em modo Ligar/ Em espera. Pode existir um problema na fonte de alimentação do aparelho.	Ative o aparelho com o botão 1. Certifique-se de que: <ul style="list-style-type: none"> <li>• não ocorreu uma falha de energia</li> <li>• a ficha está inserida corretamente na tomada e o interruptor da tomada (se existir) está na posição correta (ou seja permite que o aparelho receba energia)</li> <li>• os dispositivos de proteção do sistema elétrico doméstico são eficientes</li> <li>• o cabo de alimentação não está danificado.</li> </ul>
A luz interior não funciona.	Pode ser necessário substituir a lâmpada.	Contacte um Centro de Assistência autorizado.
	O aparelho pode estar em modo Ligar/ Em espera.	Ative o aparelho com o botão 1.
A temperatura no interior dos compartimentos não é suficientemente baixa.	Isto pode dever-se a várias causas (consulte "Soluções").	Certifique-se de que: <ul style="list-style-type: none"> <li>• as portas fecham adequadamente</li> <li>• o aparelho não está instalado perto de uma fonte de calor</li> <li>• a temperatura programada é a adequada</li> <li>• a circulação do ar através dos respiradouros existentes na base do aparelho não se encontra obstruída.</li> </ul>
A parte frontal do aparelho, na parte do vedante da porta, está quente.	Isto não é um defeito. Isto evita a formação de condensação.	Não é necessário qualquer solução.
O sinal sonoro é emitido.	<b>Alarme de porta aberta</b> É ativado quando uma porta fica aberta durante muito tempo.	Feche as portas do aparelho para desativar o sinal sonoro.
	<b>Alarme de Corte de Energia</b> É ativado caso a falha de energia se prolongue, provocando um aumento de temperatura do compartimento de congelador.  Nota: Não poderá programar uma temperatura diferente, até que o alarme de falha de corrente seja desativado.	Antes de desativar o sinal sonoro, preste atenção às luzes LED de temperatura do congelador, que correspondem à temperatura mais elevada que o compartimento de congelador atingiu durante a falha de energia. Prima o botão "Parar alarme" para desativar o sinal sonoro. Após premir o botão, a luz LED de temperatura irá mostrar de novo a temperatura programada. Se o compartimento do congelador ainda não atingiu a temperatura ideal para conservar alimentos, o alarme do compartimento do congelador poderá ser ativado (consulte alarme de temperatura do compartimento do congelador). Verifique o estado dos alimentos antes de os consumir.
	<b>Alarme de temperatura do compartimento do congelador</b> O alarme de temperatura do compartimento do congelador indica que o compartimento não se encontra na temperatura ideal. Quando: o congelador é usado pela primeira vez, depois da descongelação e/ou limpeza, se forem colocadas, dentro do congelador, grandes quantidades de alimentos, ou, quando a porta do congelador não é fechada corretamente.	Ao premir o botão (1) ou o botão (6), o alarme sonoro é silenciado.



---

# SPIS TREŚCI

---

ZESTAWIENIE.....	68
Informacje ogólne.....	68
Panel sterowania .....	68
DZIAŁANIE .....	69
Pierwsze użycie.....	69
Komora chłodziarki i przechowywanie żywności.....	69
Jak przechowywać świeżą żywność i napoje .....	69
Komora zamrażarki i przechowywanie żywności.....	70
Okres przechowywania produktów zamrożonych przez użytkownika .....	70
Komora zamrażarki.....	71
Odgłosy pracy urządzenia .....	71
Zalecenia w przypadku nieużywania urządzenia.....	71
CZYSZCZENIE I KONSERWACJA .....	72
Oświetlenie chłodziarki .....	72
Półki .....	72
Drzwiczki .....	72
Wyjmowanie szuflady lodówki.....	73
USUWANIE USTEREK.....	75
WSPARCIE TECHNICZNE .....	76

# SKRÓCONA INSTRUKCJA OBSŁUGI

## ZESTAWIENIE

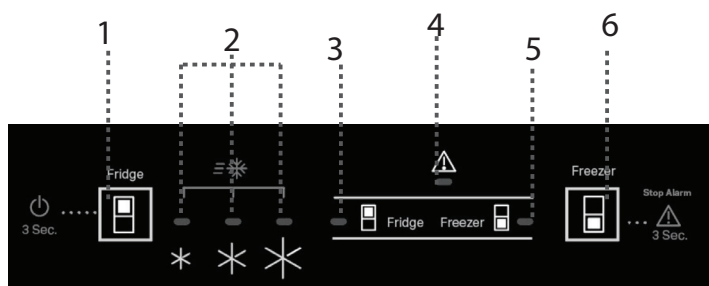
### INFORMACJE OGÓLNE

Szuflady, kosze i półki powinny pozostać na swoim miejscu, jeżeli w niniejszej skróconej instrukcji nie podano inaczej. W systemie oświetlenia wewnątrz chłodziarki zastosowano diody LED, które zapewniają lepszą widoczność w porównaniu z tradycyjnymi żarówkami, przy jednoczesnym bardzo niskim zużyciu energii.

### USUWANIE ODPADÓW


Drzwi i pokrywy urządzenia chłodniczego powinny być usunięte przed wyrzuceniem ich na wysypisko, aby uniknąć uwięzienia w nich dzieci lub zwierząt.

### PANEL STEROWANIA




1. Temperatura chłodziarki / Tryb czuwania
2. Ustawienie kontrolki temperatury
3. Kontrolka chłodziarki
4. Kontrolka alarmu
5. Kontrolka zamrażarki
6. Temperatura zamrażarki / Wyłączenie alarmu

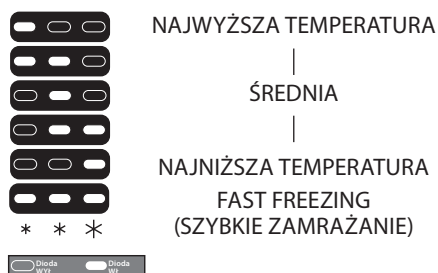
### USTAWIENIE TEMPERATUR

Nacisnąć Przycisk Chłodziarka , aby ustawić inną temperaturę w komorze chłodziarki.


*Zalecane ustawienie dla komory chłodziarki – ŚREDNIA*

Nacisnąć Przycisk Zamrażarka , aby ustawić inną temperaturę w komorze zamrażarki.

*Zalecane ustawienie dla komory zamrażarki – ŚREDNIA*



### PRZYCIŚK WŁ. / TRYBU CZUWANIA

Naciskać przycisk Temperatura chłodziarki  przez 3 sekundy, aby przełączyć urządzenie w stan czuwania.

Kiedy urządzenie pracuje w trybie czuwania, światło w komorze chłodziarki nie zapala się. Aby włączyć urządzenie, należy krótko nacisnąć ten przycisk ponownie.

### FUNKCJA FAST FREEZE (SZYBKIEGO ZAMRAŻANIA)

Aby jak najlepiej przechowywać żywność, przed włożeniem dużej ilości żywności do komory zamrażarki należy skorzystać z funkcji szybkiego zamrażania.

W celu ustawienia funkcji naciskać przycisk (6), aż wszystkie trzy diody zaświecą się. Funkcja wyłącza się automatycznie po 26 godzinach. Można ją również wyłączyć ręcznie, ustawiając inną temperaturę zamrażarki.

*Uwaga: Należy unikać bezpośredniego kontaktu świeżej żywności z żywnością wcześniej zamrożoną. Aby zoptymalizować prędkość zamrażania, należy wyjąć szuflady i umieścić żywność bezpośrednio na dnie komory.*

Aby uniknąć zwiększenia ilości odpadów spożywczych, należy zapoznać się z zalecanymi ustawieniami i czasem przechowywania w rozdziale DZIAŁANIE

# DZIAŁANIE

## PIERWSZE UŻYCIE

Po instalacji pozostawić urządzenie w bezruchu na co najmniej dwie godziny przed podłączeniem go do sieci. Po podłączeniu do źródła zasilania urządzenie zaczyna działać automatycznie. Optymalne temperatury przechowywania żywności są ustalone fabrycznie.

Po włączeniu urządzenia należy zaczekać 4-6 godzin, aż zostanie osiągnięta prawidłowa temperatura przechowywania normalnie wypełnionego urządzenia. Jeśli urządzenie wyda sygnał dźwiękowy, oznacza to, że włączył się alarm temperaturowy: wcisnąć przycisk, aby wyłączyć alarmy dźwiękowe.

## KOMORA CHŁODZIARKI I PRZECHOWYWANIE ŻYWNOSCI

Komora chłodziarki umożliwia przechowywanie świeżej żywności i napojów. Komora chłodziarki rozmraża się całkowicie w sposób automatyczny. Okazjonalna obecność kropeł wody na wewnętrznej ścianie tylnej komory jest objawem automatycznej fazy rozmrażania. Skropliny spływają do otworu spustowego i zbierają się w pojemniku, z którego następnie wyparowują.

Uwaga: temperatura otoczenia, częstotliwość otwierania drzwi i miejsce ustawienia urządzenia mogą mieć wpływ na temperaturę we wnętrzu obu komór. Wartości temperatury należy ustawić w zależności od tych czynników. W warunkach dużej wilgotności, wewnątrz komory chłodziarki może występować kondensacja, zwłaszcza na szklanych półkach. W tym przypadku zaleca się zamykanie pojemników z płynami (np. kubek z bulionem), zawijanie żywności o dużej zawartości wody (np. warzywa) i włączenie wentylatora (jeśli jest dostępny). Wszystkie szuflady, półki drzwiowe i półki w komorze można wyciągnąć.

## DYSTRYBUCJA POWIETRZA MULTIFLOW

System multiflow pomaga równomiernie rozprowadzać zimne powietrze w komorze, zapewniając lepsze przechowywanie żywności. Żywność może być umieszczona na każdej półce urządzenia. Należy zwrócić uwagę, aby nie blokować otworów wentylacyjnych, zapewniając w ten sposób swobodny przepływ powietrza.

## SYSTEM OŚWIETLENIA

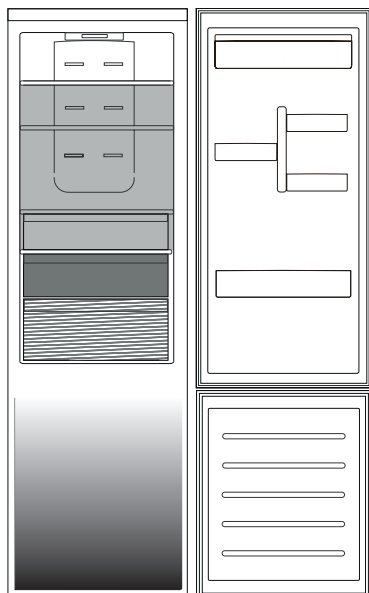


*Produkt ten wyposażony jest w górne oświetlenie klasy efektywności energetycznej G*

## JAK PRZECHOWYWAĆ ŚWIEŻĄ ŻYWNOSĆ I NAPOJE

Produkty żywnościowe wydzielające duże ilości gazu etylenowego (jabłka, morele, brzoskwinie, awokado, figi, suszone śliwki, borówki, melony, fasolka) i produkty wrażliwe na ten gaz, takie jak owoce, warzywa i sałaty, należy zawsze umieszczać lub opakowywać osobno, aby zapobiec skracaniu ich terminu przydatności do spożycia; na przykład nie przechowywać pomidorów razem z owocami kiwi lub kapustą. Aby zapewnić dostateczną cyrkulację powietrza, nie należy przechowywać artykułów spożywczych zbyt blisko siebie. Używać pojemników wielokrotnego użytku – plastikowych, metalowych, aluminiowych i szklanych lub folii samoprzylepnej.

Gdy w chłodziarce przechowywana jest niewielka ilość żywności, zaleca się korzystanie z półek nad pojemnikiem na owoce i warzywa, ponieważ jest to najzimniejszy obszar w komorze. Żywność i napoje, które mogą wydzielać lub przyjmować zapachy, należy zawsze przechowywać w zamkniętych pojemnikach lub pod przykryciem. Aby zapobiec przewracaniu się butelek, można umieścić je w specjalnym uchwycie (występuje w wybranych modelach).




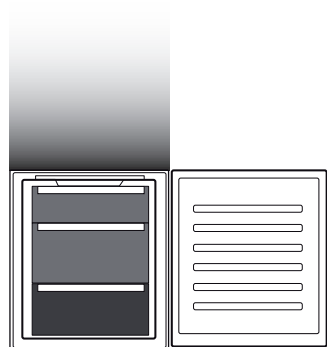
### Legenda

-  **STREFA TEMPERATURY**  
Zalecana do przechowywania owoców tropikalnych, puszek, napojów, jajek, sosów, marynat, masła, dżemu
-  **STREFA NISKIEJ TEMPERATURY**  
Zalecana do przechowywania serów, mleka, wyrobów mleczarskich, produktów delikatesowych, jogurtów
-  **STREFA NAJNIŻSZEJ TEMPERATURY**  
Zalecana do przechowywania wędlin i deserów, mięsa oraz ryb
-  **SZUFLADA NA WARZYWA I OWOCE**



Limity obciążenia są określone przez konkretną konstrukcję (kosze, kontenery, klapy, szuflady, półki itp.), lub limity obciążenia są określone przez naturalne granice obciążenia.

## KOMORA ZAMRAŹARKI I PRZECHOWYWANIE ŻYWNOŚCI

Komora zamrażarki  umożliwia długotrwałe przechowywanie zamrożonej żywności i mrożenie świeżej żywności. Ilość świeżej żywności, którą można zamrozić w ciągu 24 godzin, jest podana na tabliczce znamionowej. Rozmieścić świeżą żywność w obszarze mrożenia wewnątrz komory zamrażarki, pozostawiając wystarczającą ilość miejsca wokół opakowań żywności na swobodny przepływ powietrza. Nie zaleca się ponownego zamrażania częściowo rozmrożonej żywności. Ważne jest, aby owinąć żywność w sposób zapobiegający przedostawaniu się wody, wilgoci lub kondensacji.



### Legenda

-  **SZUFLADY ZAMRAŹARKI**
-  **SZUFLADA STREFY ZAMRAŻANIA**  
(Strefa najniższej temperatury)  
Zalecana do zamrażania świeżej żywności/ ugotowanych potraw

### WYJMOWANIE SZUFLAD

Wysunąć szuflady maksymalnie na zewnątrz, unieść je i wyjąć. Aby uzyskać większą objętość, z komory chłodziarki można wyjąć wszystkie szuflady. Po ponownym umieszczeniu żywności na kratkach/półkach należy upewnić się, że drzwi są odpowiednio zamknięte.

## OKRES PRZECHOWYWANA PRODUKTÓW ZAMROŻONYCH PRZEZ UŻYTKOWNIKA

# Strefa przechowywania

Miesiące			
			
Potrawa			
			

## KOMORA ZAMRAŻARKI

### Kostki lodu

Wypełnić 2/3 tacki na lód wodą i włożyć ją z powrotem do komory zamrażarki. Nigdy nie używać ostrych lub ostro zakończonych przedmiotów do wyjmowania lodu.

Ilość świeżej żywności, którą można zamrozić w wyznaczonym czasie podana jest na tabliczce znamionowej.

Limity załadunku żywności są zdeterminowane przez kosze, klapki, szuflady, półki itd. Należy upewnić się, czy po załadunku można nadal korzystać z nich bez utrudnień.

### Łatwe wyjmowanie tacek z zamrażarki

Strefa łatwego dostępu w zamrażarce: łatwo znaleźć i wyjąć ulubione produkty.

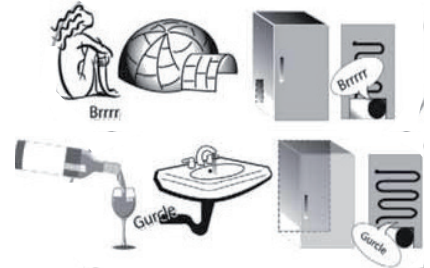
### System Total No Frost

System Total No Frost skutecznie zapobiega tworzeniu się lodu, co pozwala uniknąć niedogodności związanych z ręcznym odszranianiem zarówno w zamrażarce, jak i we wnętrzu chłodziarki.

System wentylacyjny zapewnia doskonałą cyrkulację zimnego powietrza w obu komorach, dzięki czemu nie tworzy się lód.

## ODGŁOSY PRACY URZĄDZENIA

1. Hałas podczas pracy kompresora jest normalnym zjawiskiem.



2. Bulgotanie oraz stuki powstają podczas przechodzenia gazowego czynnika chłodniczego wewnątrz układu chłodzącego i są uważane za zjawisko normalne.

3. Skrzypiące dźwięki można „usłyszeć”, zarówno kiedy kompresor pracuje, jak i wtedy, gdy jest nieaktywny: jest to normalny dźwięk wydawany przez strukturę urządzenia.



4. Sprawdzić, czy półki po wewnętrznej stronie drzwi chłodziarki oraz półki i szuflady w komorze chłodziarki są poprawnie umieszczone i umocowane, w celu uniknięcia potencjalnych wibracji.

5. Nie umieszczać szklanych pojemników (butelek, słoików, itd.) w bezpośrednim sąsiedztwie, w celu uniknięcia potencjalnych wibracji.

6. Urządzenie jest wyposażone w kompresor, który działa z optymalną prędkością w celu zminimalizowania zużycia energii. Może zdarzyć się, w niektórych sytuacjach (np. latem lub w przypadku umieszczenia dużej ilości produktów), że kompresor zwiększy prędkość i stanie się głośniejszy niż zwykle.

## ZALECENIA W PRZYPADKU NIEUŻYWANIA URZĄDZENIA

### W przypadku nieużywania urządzenia

Odłączyć urządzenie od źródła zasilania, opróżnić je, rozmrozić (jeśli konieczne) i wyczyścić.

Zostaw lekko otwarte drzwi, aby umożliwić przepływ powietrza przez komory. Pozwala to zapobiec powstawaniu pleśni i przykrych zapachów.

### W przypadku przerwy w zasilaniu

Zostawić zamknięte drzwi, aby jak najdłużej utrzymać niską temperaturę żywności. Nie zamrażać ponownie żywności, która uległa częściowemu rozmrożeniu. Jeżeli zasilanie jest odcięte przez dłuższy czas, może być także aktywny alarm długiej awarii zasilania (w przypadku produktów wyposażonych w sterownik elektroniczny).

---

## CZYSZCZENIE I KONSERWACJA

---

**Przed przystąpieniem do mycia lub innych czynności konserwacyjnych odłączyć urządzenie od źródła zasilania lub wyjąć wtyczkę z gniazda.**

**Nie stosować substancji ściernych. Nie czyścić elementów urządzenia środkami łatwopalnymi.**

**Nie stosować parowych urządzeń do czyszczenia.**

**Przycisków i wyświetlacza panelu sterowania nie należy czyścić przy użyciu alkoholu lub środków na bazie alkoholu. Należy używać do tego celu wyłącznie suchej szmatki.**

Urządzenie należy czyścić okazjonalnie za pomocą szmatki oraz roztworu ciepłej wody i neutralnych środków przeznaczonych do czyszczenia wnętrza chłodziarki.

---

### OŚWIETLENIE CHŁODZIARKI

W systemie oświetlenia wewnątrz chłodziarki zastosowano diody LED, które zapewniają lepszą widoczność w porównaniu z tradycyjnymi żarówkami, przy jednoczesnym bardzo niskim zużyciu energii. W razie konieczności wymiany należy skontaktować się z serwisem technicznym.

**Ważne:** Oświetlenie wewnątrz komory chłodziarki jest włączane po otwarciu drzwiczek chłodziarki.

---

### PÓŁKI

Wszystkie szuflady, półki drzwiowe i półki w komorze można wyciągnąć.

---

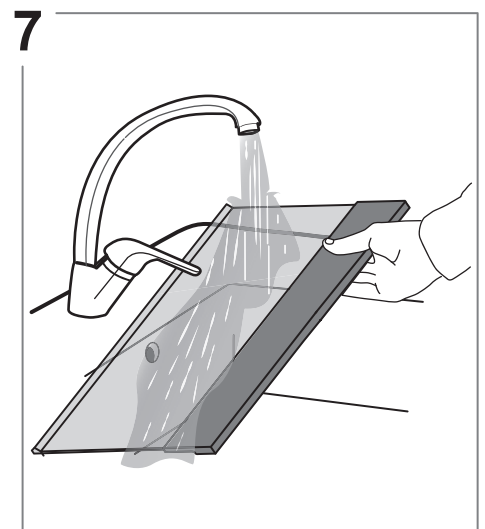
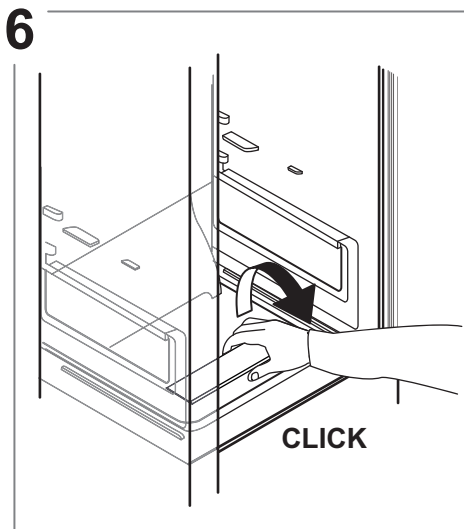
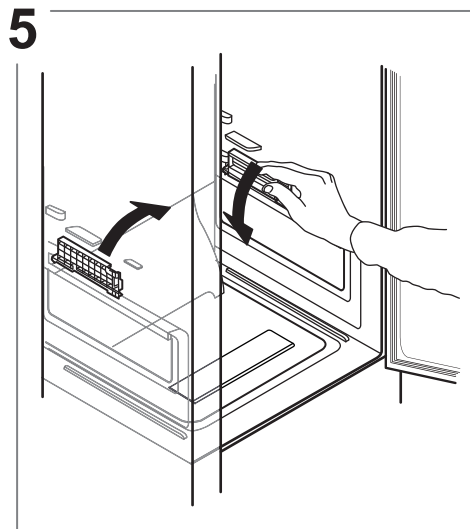
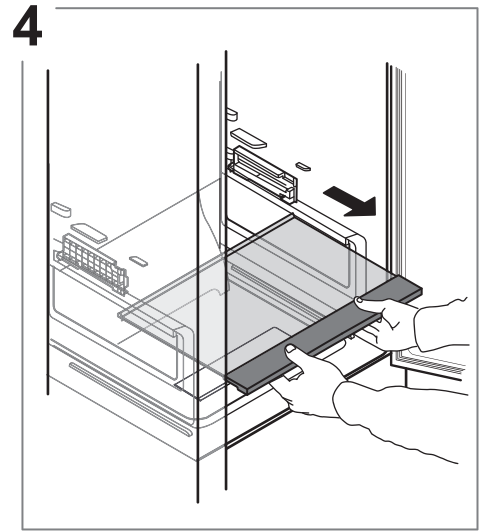
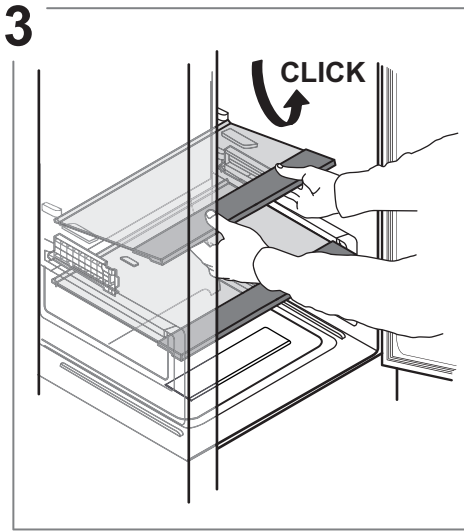
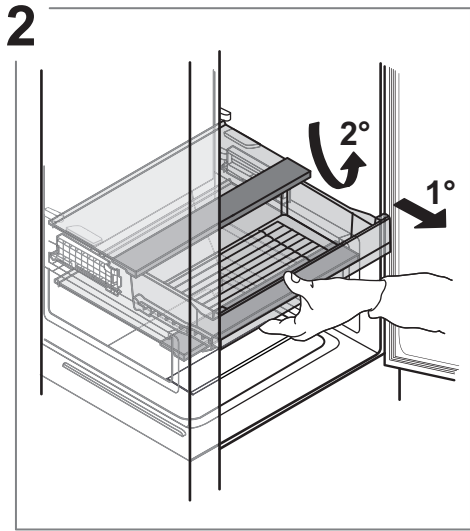
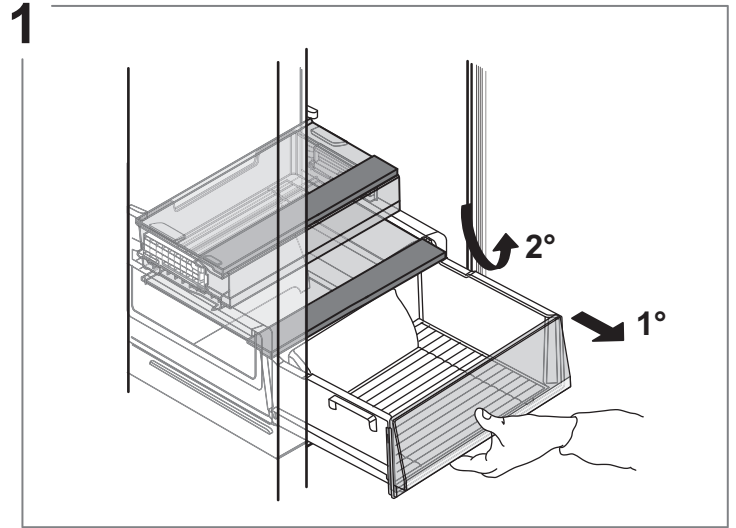
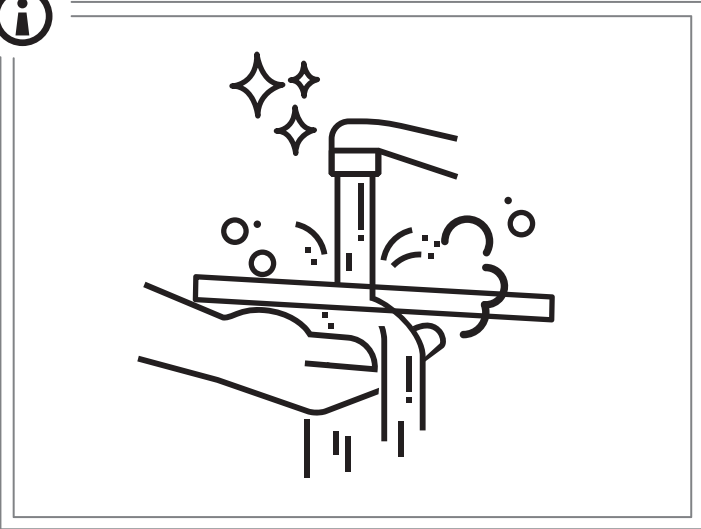
### DRZWICZKI

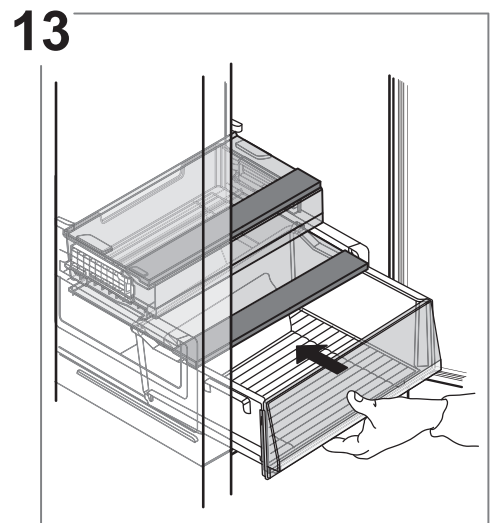
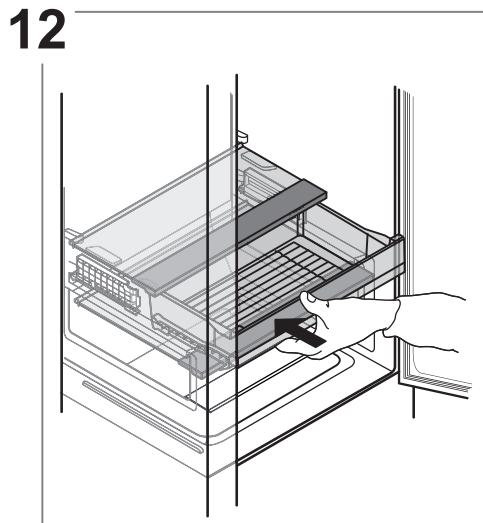
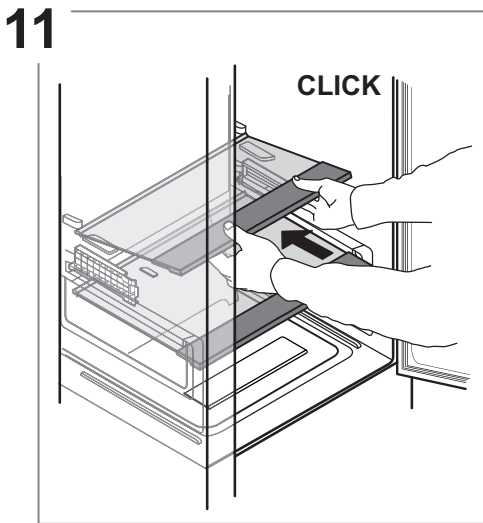
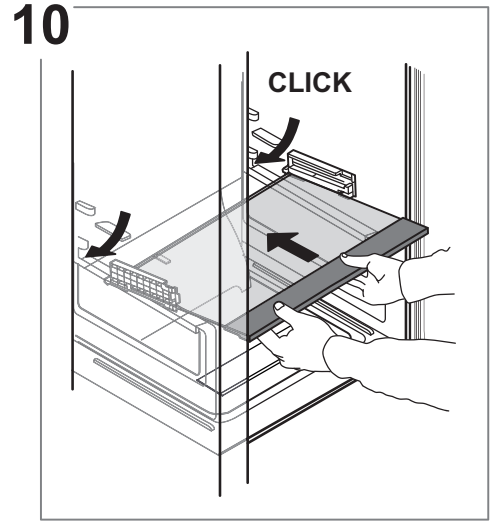
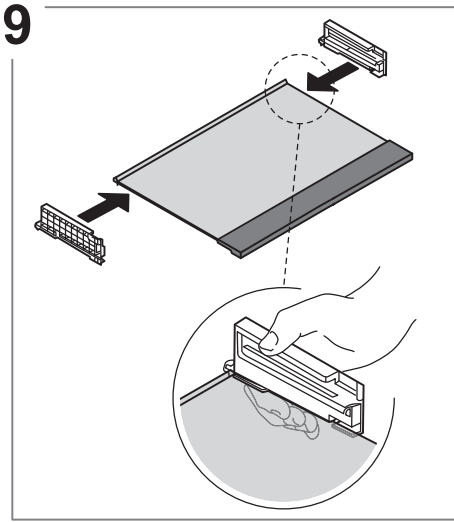
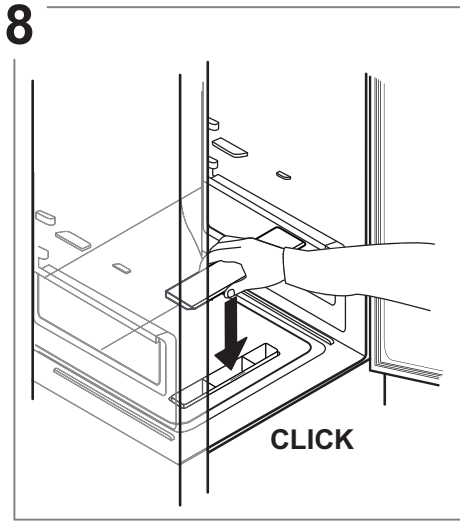
---

#### PRZEKŁADANIE DRZWI

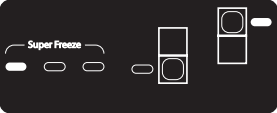

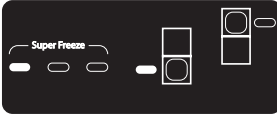
Uwaga: Kierunek otwierania drzwiczek można zmienić. Jeżeli operacja ta nie jest wykonana przez Serwis Posprzedażowy, jest to usługa nieobjęta gwarancją. Potrzebne informacje można znaleźć w rozdziale **Instalacja**.

WYJMOWANIE SZUFLADY LODÓWKI





# USUWANIE USTEREK

Co zrobić, gdy...	Możliwe przyczyny	Rozwiązania
Panel sterowania jest wyłączony, urządzenie nie działa.	Urządzenie może się znajdować w trybie wł. / czuwania. Być może wystąpił problem z zasilaniem elektrycznym urządzenia.	Aktywować urządzenie za pomocą przycisku 1. Sprawdzić, czy: <ul style="list-style-type: none"> <li>nie doszło do przerwy w dopływie prądu</li> <li>czy wtyczka została poprawnie wciśnięta w gniazdo i czy przełącznik dwubiegunowy sieci (jeśli gniazdo jest w niego wyposażone) jest we właściwym położeniu (umożliwia zasilenie urządzenia)</li> <li>zabezpieczenia instalacji elektrycznej uruchamiającej urządzenie sprawnie działają</li> <li>przewód zasilający nie jest uszkodzony.</li> </ul>
Nie działa oświetlenie wewnętrzne.	Być może konieczna jest wymiana żarówki.	Skontaktować się z autoryzowanym centrum serwisowym.
	Urządzenie może się znajdować w trybie wł. / czuwania.	Aktywować urządzenie za pomocą przycisku 1.
Temperatura wewnątrz komór nie jest dostatecznie niska.	Może być wiele przyczyn takiego stanu rzeczy (patrz kolumna "Rozwiązanie problemu").	Sprawdzić, czy: <ul style="list-style-type: none"> <li>drzwi zamykają się prawidłowo</li> <li>urządzenie nie jest zainstalowane w pobliżu źródła ciepła</li> <li>ustawiona temperatura jest odpowiednia</li> <li>obieg powietrza przez kratki wentylacyjne u dołu urządzenia nie jest zablokowany.</li> </ul>
Krawędź przednia urządzenia w pobliżu uszczelki drzwiowej jest gorąca.	Nie jest to usterka. Jest to celowy efekt mający na celu zapobieżenie powstawaniu skroplin.	Nie jest wymagane żadne rozwiązanie.
Rozlega się sygnał dźwiękowy.	<b>Alarm otwartych drzwi</b> Uruchamia się, gdy drzwi pozostają otwarte przez dłuższy czas.	W celu wyłączenia sygnału dźwiękowego należy zamknąć drzwi urządzenia.
 	<b>Alarm awarii zasilania</b> Uruchamia się w przypadku dłuższej przerwy w dostawie energii, która spowodowała wzrost temperatury w komorze zamrażarki.  Uwaga: Dopóki nie zostanie wyłączony alarm awarii zasilania, nie jest możliwe ustawienie innej temperatury urządzenia.	Przed wyłączeniem sygnału dźwiękowego zaleca się zwrócenie uwagi na diody LED temperatury zamrażarki, odpowiadające najwyższej temperaturze osiągniętej w komorze zamrażarki w trakcie przerwy w zasilaniu. Aby wyłączyć „Stop Alarm”, nacisnąć przycisk wyłączający alarmy dźwiękowe. Po naciśnięciu przycisku dioda temperatury pokaże ponownie ustawione temperatury. Jeżeli komora zamrażarki nie osiągnęła jeszcze temperatury zapewniającej optymalne warunki przechowywania produktów, może się uruchomić alarm temperatury dla komory zamrażarki (patrz alarm temperatury). Przed spożyciem produktów sprawdzić ich stan.
	<b>Alarm temperatury komory zamrażarki</b> Alarm temperatury komory zamrażarki wskazuje, że temperatura komory nie jest optymalna. Może do tego dojść przy: pierwszym użyciu po odszronieniu i/lub czyszczeniu, w przypadku zamrożenia dużych ilości produktów lub jeżeli drzwi zamrażarki nie są idealnie zamknięte.	Naciśnięcie przycisku (1) lub przycisku (6) spowoduje wyłączenie alarmu dźwiękowego



---

# INHOUDSOPGAVE

---

OVERZICHT .....	78
Algemene informatie .....	78
Bedieningspaneel .....	78
BEDIENING .....	79
Eerste gebruik .....	79
Koelvak en bewaren voedsel .....	79
Verse etenswaren en dranken bewaren .....	79
Voedsel bewaren diepvriescompartiment .....	80
Bewaartijden voor zelf ingevroren etenswaren .....	80
Diepvriescompartiment .....	80
Functionele geluiden .....	81
Aanbevelingen wanneer het apparaat niet wordt gebruikt .....	81
REINIGEN EN ONDERHOUD .....	82
Koelkastverlichting .....	82
Schappen .....	82
Deur .....	82
De lade van de koelkast verwijderen .....	83
PROBLEEMOPLOSSING .....	85
ONDERSTEUNING .....	86

# GEBRUIKERSHANDLEIDING

## OVERZICHT

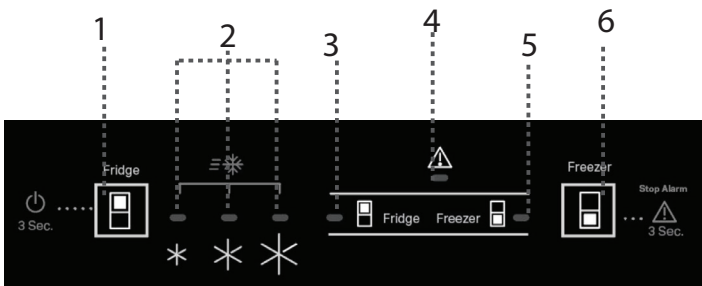
### ALGEMENE INFORMATIE

De laden, manden en schappen moeten in hun huidige positie worden gehouden, tenzij anders is aangegeven in deze handleiding. Het verlichtingssysteem in het koelkastcompartiment maakt gebruik van ledverlichting voor een betere verlichting dan de traditionele lampjes en een zeer laag energieverbruik.

### AFDANKEN

Deuren en deksels van de koelkast moeten worden verwijderd voordat het apparaat wordt afgevoerd, om te voorkomen dat kinderen of dieren erin vast komen te zitten.

### BEDIENINGSPANEEL



1. Temperatuur / Stand-By koelkast
2. Indicator temperatuurstelling
3. Indicator koelkast
4. Alarmcontrolelampje
5. Indicator vriezer
6. Temperatuur / Stop Alarm vriezer

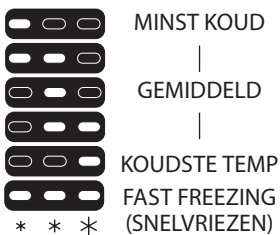
### INSTELLEN VAN DE TEMPERATUREN

Druk op de toets van de koelkast om een andere temperatuur in te stellen in het koelvak.

*De aanbevolen instelling voor het koelvak is MED*

Druk op de toets van de vriezer om een andere temperatuur in te stellen in het vriesvak.

*De aanbevolen instelling voor het vriesvak is MED*



### AAN/STAND-BY

Druk 3 seconden lang op de temperatuurtoets van de koelkast om het apparaat in stand-by te zetten.

In de stand-by modus gaat het licht in het koelvak niet branden. Druk nogmaals kort op de toets om het apparaat opnieuw in te schakelen.

### FUNCTIE FAST FREEZE (SNELVRIEZEN)

Gebruik de functie Snelvriezen voordat u een grote hoeveelheid etenswaren in de vriezer plaatst, zodat de etenswaren optimaal worden bewaard. Druk op de toets (6) tot alle drie de ledlampjes branden om de functie in te stellen. De functie wordt na 26 uur automatisch uitgeschakeld, of kan handmatig worden uitgeschakeld door een andere vriestemperatuur te kiezen.

*Opmerking: Zorg dat verse etenswaren niet in contact komen met reeds ingevroren etenswaren. De laden kunnen worden verwijderd en het voedsel kan rechtstreeks op de bodem van het vak worden geplaatst om de koelsnelheid te optimaliseren.*

Raadpleeg de aanbevolen instelling en bewaartijden in het hoofdstuk BEDIENING om voedselverspilling tegen te gaan

# BEDIENING

## EERSTE GEBRUIK

Wacht minstens twee uren na de installatie vooraleer het apparaat aan te sluiten op het stopcontact. Nadat de stekker in het stopcontact is gestoken, begint het apparaat automatisch te werken. De ideale opslagtemperaturen voor etenswaar zijn vooraf in de fabriek afgesteld.

Na het inschakelen van het apparaat dient u 4-6 uur te wachten tot de juiste opslagtemperatuur voor een normaal gevuld apparaat is bereikt. Als het geluidssignaal afgaat, betekent dit dat het temperatuuralarm in werking is getreden: druk op de knop om de geluidsalarmen uit te schakelen.

## KOELVAK EN BEWAREN VOEDSEL

In het koelkastcompartiment kunnen verse etenswaar en dranken bewaard worden. Het ontdooien van het koelkastcompartiment vindt geheel automatisch plaats. De aanwezigheid van waterdruppels op de achterste binnenwand van het koelkastcompartiment is een teken van de automatische ontdooifase. Het dooiwater loopt weg in een afvoeropening en vervolgens in een bak, waar het verdampt.

Opmerking: de omgevingstemperatuur, hoe vaak de deur wordt geopend en de plaats van het apparaat kan een invloed hebben op de interne temperatuur van de twee vakken. Stel de temperatuur in aan de hand van deze factoren. Bij veel vocht in het koelkastcompartiment kan er condensvorming ontstaan, vooral op de glasplaten. In dit geval wordt geadviseerd dat u vloeistoffen in open pannen afsluit (bijv. een pan bouillon), etenswaar met een hoog watergehalte (bijv. groenten) in folie wikkelt en de ventilator inschakelt (indien hiermee uitgerust). Alle laden, deurvakken en schappen kunnen worden verwijderd.

## MULTIFLOW-LUCHTVERDELING

Multiflow helpt om de koude lucht in de koelkast gelijkmatig te verdelen zodat etenswaren langer goed blijven. Etenswaren kunnen op elk schap van het apparaat worden geplaatst. Let erop dat de ventilatieopeningen voor de luchtverdeling niet worden geblokkeerd, zodat de luchtstroom vrij kan bewegen.

## LICHTSISTEEM

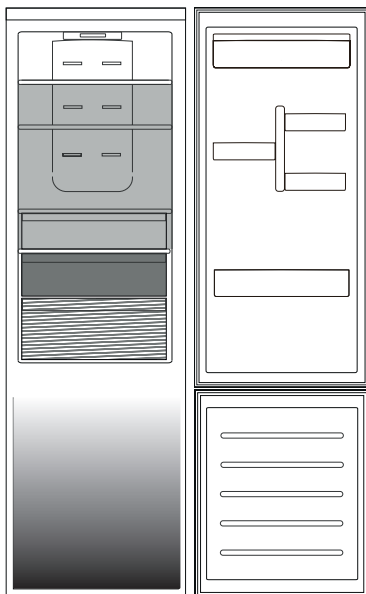


*Dit product bevat een lichtbron bovenin van energie-efficiëntieklasse G*

## VERSE ETENSWAREN EN DRANKEN BEWAREN

Levensmiddelen die een grote hoeveelheid ethyleengas afgeven en de levensmiddelen die gevoelig zijn voor dit gas, zoals fruit, groenten en salade, moeten altijd worden zodanig worden gescheiden of verpakt dat de houdbaarheid niet achteruit gaat; bijvoorbeeld geen tomaten samen met kiwi's of kool bewaren. Bewaar verschillende etenswaar niet te dicht bij elkaar om voor voldoende luchtcirculatie te zorgen. Gebruik houders van recyclebaar plastic, metaal, aluminium en glas, of wikkel de levensmiddelen in folie.

Indien u een kleine hoeveelheid etenswaar in de koelkast opslaat, raden wij aan de platen boven de crisperlade voor groente en fruit te gebruiken, aangezien dit de koelste plek in het koelvak is. Gebruik altijd afsluitbare houders voor vloeistoffen en etenswaar die geuren of smaken kunnen afgeven of opnemen, of dek de vloeistoffen of etenswaar af. Om te voorkomen dat flessen omvallen, kunt u gebruik maken van de flessenhouder (beschikbaar op bepaalde modellen).




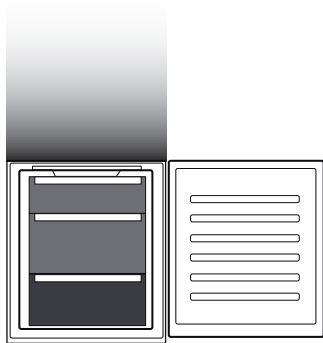
### Legenda

	<b>TEMPERATUURZONE</b> Aanbevolen voor het bewaren van tropisch fruit, blikjes, dranken, eieren, sauzen, augurken, boter, jam
	<b>KOELZONE</b> Aanbevolen voor het bewaren van kaas, melk, zuivelproducten, delicatessen, yoghurt
	<b>KOUDSTE ZONE</b> Aanbevolen voor het bewaren van vleeswaren, desserts, vlees en vis
	<b>FRUIT &amp; GROENTELADE</b>

De maximale hoeveelheid etenswaren wordt bepaald door de constructie (manden, houders, kleppen, laden, schappen etc.) of door de natuurlijke grenzen aan de belasting.

## VOEDSEL BEWAREN DIEPVRIESCOMPARTIMENT

Met het diepvriescompartiment  kan bevroren voedsel lang worden bewaard en kunnen verse voedingswaren worden ingevroren. De hoeveelheid verse etenswaar die in 24 uur kan worden ingevroren, staat aangegeven op het typeplaatje. Schik de verse etenswaar in het vriesvak in het diepvriescompartiment (zie de Beknopte Handleiding) en zorg voor voldoende ruimte rondom elke verpakking zodat de lucht kan circuleren. Geadviseerd wordt gedeeltelijk ontdooide etenswaar niet opnieuw in te vriezen. Het is belangrijk om etenswaar zodanig te verpakken dat het binnendringen van water, vocht of condens wordt voorkomen.



### Legenda



LADEN VRIESVAK



LADE DIEPVRIESGEDEELTE  
(Max koelzone)

Aanbevolen voor het invriezen van verse/  
gekookte levensmiddelen

### DE LADEN VERWIJDEREN

Trek de laden zo ver mogelijk uit, til ze op en neem ze uit. Voor een groter volume kan het diepvriescompartiment gebruikt worden zonder de laden. Zorg ervoor dat de deur goed is gesloten nadat u het voedsel terug op de roosters/schappen hebt gelegd.

## BEWAARTIJDEN VOOR ZELF INGEVROREN ETENSWAREN

# Compartiment

Maanden	2-6	4-8	6-12
			
Etenswaren			
			

## DIEPVRIESCOMPARTIMENT

### Ijsblokjes

Vul het ijsbakje voor 2/3 met water en plaats het in het vriesvak. Gebruik nooit puntige of scherpe voorwerpen om het ijs te verwijderen.

De hoeveelheid verse voedingswaren die in een bepaalde periode kan worden ingevroren, staat aangegeven op het typeplaatje.

De laadlimieten zijn bepaald door manden, flappen, lades, schappen enz. Zorg ervoor dat deze onderdelen nog altijd gemakkelijk kunnen sluiten na het laden.

### Vrieslade met gemakkelijke toegang

Gedeelte met gemakkelijke toegang in de vriezer: al uw favoriete producten onder handbereik.

### Total No Frost-systeem

Het Total No Frost-systeem voorkomt ijsvorming effectief. Geen gedoe meer met handmatig ontdooien van de vriezer en de koelkast.

Het ventilatiesysteem zorgt voor een perfecte circulatie van koude lucht in beide compartimenten, waardoor ijsvorming wordt voorkomen.

## FUNCTIONELE GELUIDEN

1. Tijdens de werking van het product is het normaal dat de compressor af en toe een zoemend geluid afgeeft.



2. Borrelende en krakende geluiden zijn veroorzaakt door de passage van het koelgas in de koelleidingen. Dit zijn normale geluiden.



3. Het is normaal krakende geluiden te "horen" wanneer de compressor actief of niet actief is: Dit is een normaal geluid van de structuur van het product.



4. Controleer of de vakken aan de binnenkant van de koelkastdeur, de schappen en de laden in het koelvak vastzitten en correct geplaatst zijn, om trillingen te voorkomen.
5. Plaats geen glazen recipiënten (flessen, potten, enz.) in rechtstreeks contact met elkaar, om trillingen te voorkomen.
6. Dit apparaat is uitgerust met een compressor die werkt aan een optimale snelheid om het energieverbruik te optimaliseren. Het kan dus gebeuren dat in bepaalde situaties (in de zomer of wanneer grote hoeveelheden voedsel ingebracht worden) de compressor de snelheid opdrijft en dus ook meer geluiden voortbrengt.

## AANBEVELINGEN WANNEER HET APPARAAT NIET WORDT GEBRUIKT

### Bij geen gebruik

Ontkoppel het apparaat van het elektriciteitsnet en leeg, ontdooi (indien nodig) en reinig het apparaat. Laat de deuren op een kier staan, zodat lucht in de compartimenten kan circuleren. Hierdoor voorkomt u de ontwikkeling van schimmel en onaangename geuren.

### Bij een stroomstoring

Houd de deuren gesloten, zodat de etenswaar zo lang mogelijk koel blijft. Vries gedeeltelijk ontdooide etenswaar niet opnieuw in. Bij een langdurige stroomstoring is het mogelijk dat het black-outalarm geactiveerd wordt (bij producten met elektronica).

---

# REINIGEN EN ONDERHOUD

---

**Trek de stekker uit het stopcontact of sluit de stroomtoevoer af voordat u met reinigings- of onderhoudswerkzaamheden begint.**

**Gebruik geen reinigings- of schuurmiddelen. Maak de onderdelen van de koelkast nooit schoon met licht ontvlambare vloeistoffen.**

**Gebruik geen stoomreinigers.**

**De toetsen en het display van het bedieningspaneel mogen niet gereinigd worden met middelen op basis van alcohol of daarvan afgeleide stoffen; gebruik in plaats daarvan een droge doek.**

Maak het apparaat regelmatig schoon met een doek met een oplossing van lauw water en een neutraal schoonmaakmiddel dat geschikt is voor het reinigen van de binnenkant van een koelkast.

---

## KOELKASTVERLICHTING

Het verlichtingssysteem in het koelkastcompartiment maakt gebruik van ledverlichting voor een betere verlichting dan de traditionele lampjes en een zeer laag energieverbruik. Neem contact op met het Technische Servicecentrum als u een vervanging nodig heeft.

**Belangrijk:** De binnenverlichting van het koelkastcompartiment gaat branden wanneer de deur van de koelkast geopend wordt.

---

## SCHAPPEN

Alle laden, deurvakken en schappen kunnen worden verwijderd.

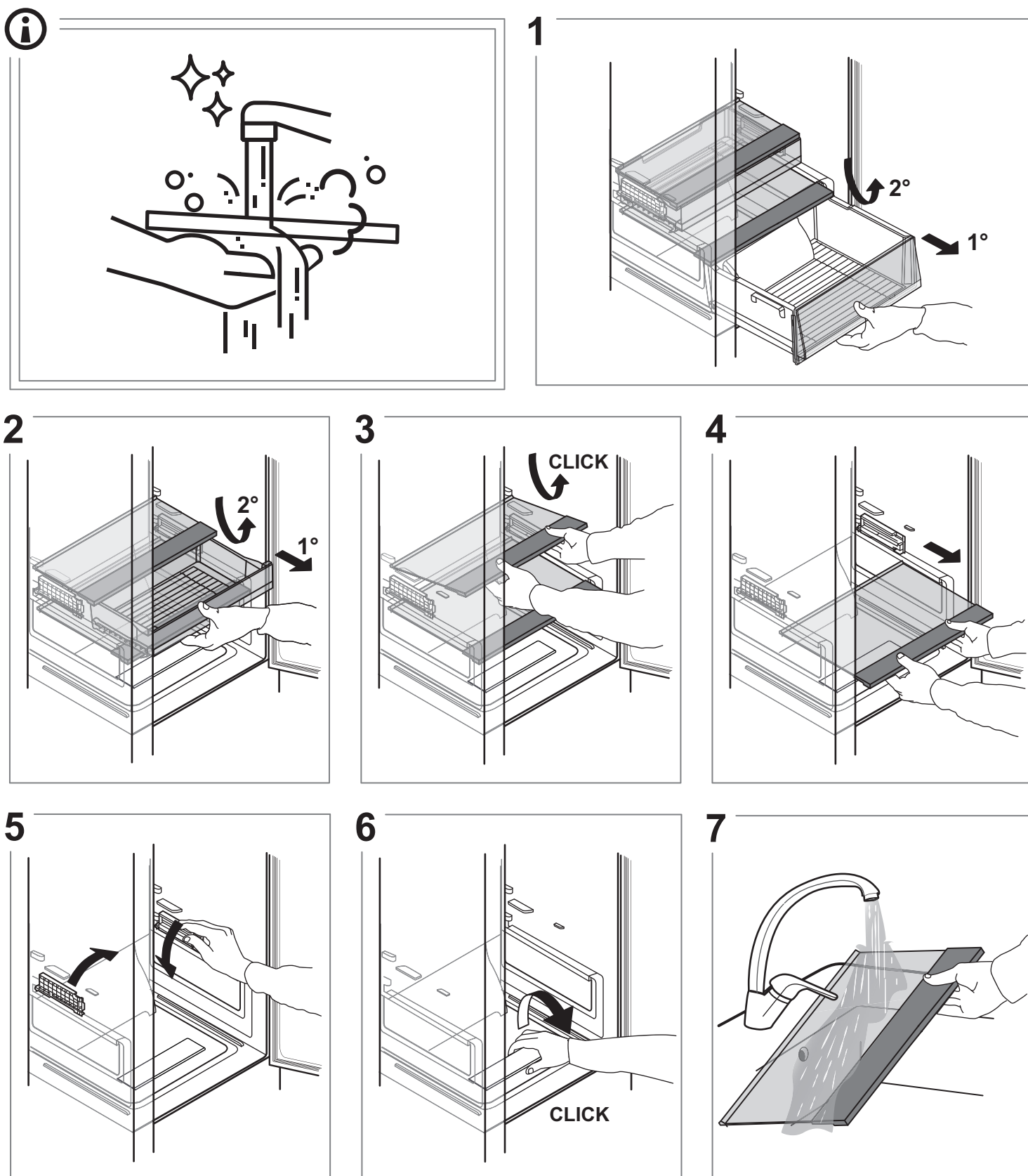
---

## DEUR

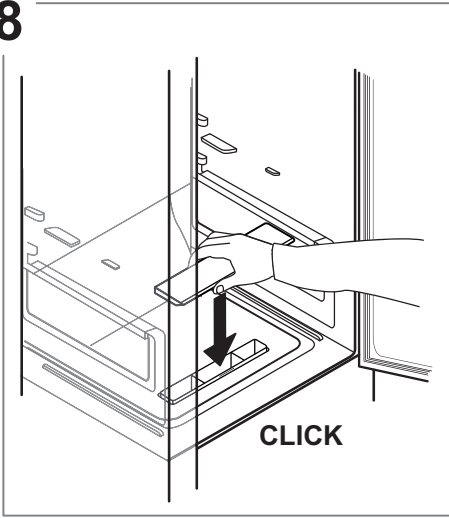
### OMKEREN VAN DE DEUR

Opmerking: De richting waarin de deur opengaat, kan worden veranderd. Als deze handeling niet wordt uitgevoerd door de klantenservice, valt deze niet onder de garantie. Volg de instructies het hoofdstuk **Installatie**.

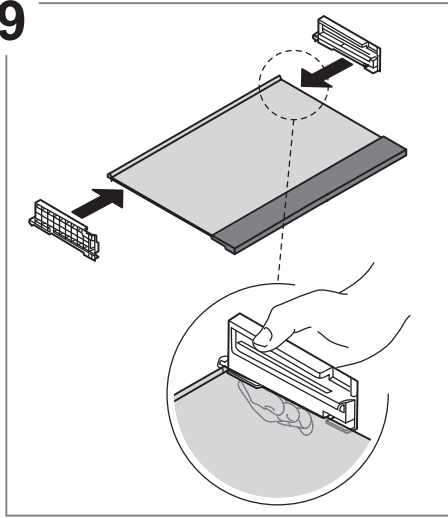
## DE LADE VAN DE KOELKAST VERWIJDEREN



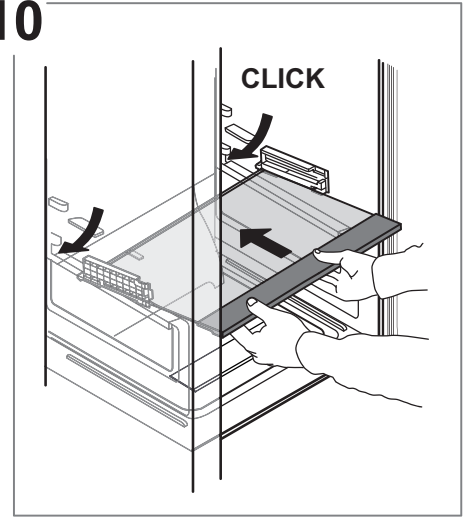
8



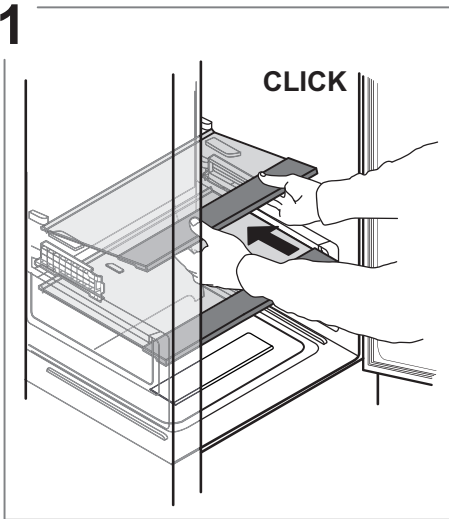
9



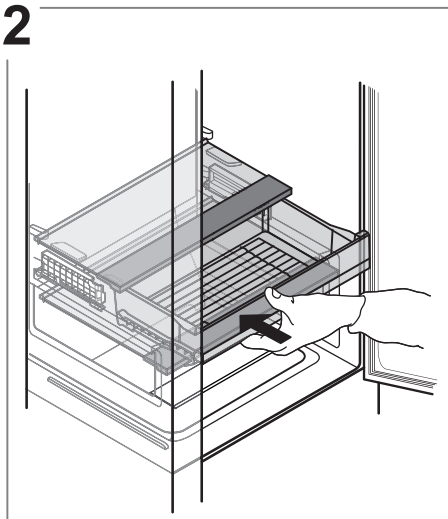
10



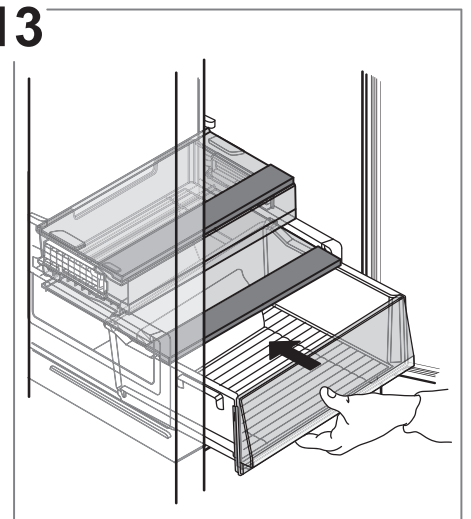
11



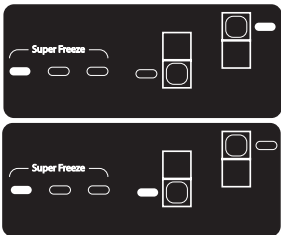
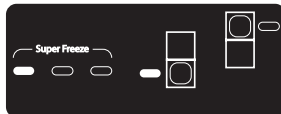
12



13



# PROBLEEMOPLOSSING

Wat moet u doen als...	Mogelijke oorzaken	Oplossingen
Het bedieningspaneel is uitgeschakeld, het apparaat werkt niet.	Het apparaat kan in Aan/Stand-bymodus staan. Er kan een probleem zijn met de stroomtoevoer naar het apparaat zijn.	Schakel het toestel in met knop 1. Controleer of: <ul style="list-style-type: none"> <li>er geen stroomstoring is</li> <li>de stekker goed in het stopcontact gestoken is en de dubbele polaire schakelaar (indien aanwezig) in de juiste stand staat (d.w.z. de schakelaar voorziet het apparaat van spanning)</li> <li>de beschermingstoestellen voor huishoudelijke elektrische systemen correct werken</li> <li>de voedingskabel niet is gebroken.</li> </ul>
Het interieurlampje werkt niet.	Het lampje moet mogelijk vervangen worden.  Het apparaat kan in Aan/Stand-bymodus staan.	Neem contact op met de erkende klantenservice.  Schakel het toestel in met knop 1.
De temperatuur binnenin de compartimenten is niet laag genoeg.	Dit kan verschillende oorzaken hebben (zie 'Oplossingen').	Controleer of: <ul style="list-style-type: none"> <li>de deuren goed sluiten</li> <li>het apparaat niet is geïnstalleerd in de buurt van een warmtebron</li> <li>de ingestelde temperatuur voldoende is</li> <li>de luchtcirculatie via de ventilatieroosters op de onderkant van het apparaat niet belemmerd wordt.</li> </ul>
De voorste rand van het apparaat, bij de afdichtingen van de deur, is heet.	Dit is geen defect. Hierdoor wordt de vorming van condens voorkomen.	Een oplossing is niet nodig.
Het geluidssignaal gaat af.	<b>Alarm deur open</b> Het wordt geactiveerd wanneer de deur lange tijd open blijft.	Voor het uitschakelen van het geluidssignaal de deuren van het product sluiten.
	<b>Black-outalarm</b> Wordt ingeschakeld bij een langdurige stroomstoring, wat een verhoging van de temperatuur van het vriesvak veroorzaakt.  Opmerking: U kunt geen andere temperatuur voor het product instellen voordat het black-outalarm is uitgeschakeld.	Het is raadzaam om voor het uitschakelen van het geluidssignaal de led's vriezertemperatuur te controleren, want die komen overeen met de hoogste temperatuur die tijdens de stroomuitval in het diepvriescompartiment werd bereikt. Druk kort op de toets "Stop Alarm" om het geluidssignaal uit te schakelen. Nadat er op de knop is gedrukt geven de led's vriezertemperatuur weer de ingestelde temperatuur weer. Als de optimale temperatuur voor de conservering van levensmiddelen in het vriesvak nog niet is bereikt kan het temperatuuralarm geactiveerd worden (zie temperatuuralarm). Voordat het wordt opgegeten het voedsel controleren.
	<b>Temperatuuralarm diepvriescompartiment</b> Het temperatuuralarm van het diepvriescompartiment duidt aan dat het compartiment niet de optimale temperatuur heeft. Dit kan gebeuren: bij het eerste gebruik, na ontdooien en/of reinigen, als grote hoeveelheden levensmiddelen in de vriezer worden geplaatst of als de deur van de vriezer niet goed gesloten is.	Door op knop (1) of (6) te drukken, wordt het geluidsalarm gesnoezed



# ЗМІСТ

ОГЛЯД.....	88
Основна інформація.....	88
Панель керування.....	88
ФУНКЦІОНУВАННЯ.....	89
Перед початком експлуатації.....	89
Холодильне відділення і зберігання продуктів.....	89
Зберігання свіжих продуктів і напоїв.....	89
Морозильне відділення та зберігання продуктів.....	90
Терміни зберігання для продуктів, заморожених в домашніх умовах.....	90
Морозильне відділення.....	91
Звуки приладу під час роботи.....	91
Рекомендації на випадок невикористання приладу.....	91
ЧИЩЕННЯ ТА ОБСЛУГОВУВАННЯ.....	92
Освітлення холодильного відділення.....	92
Полиці.....	92
Дверцята.....	92
Виймання ящика холодильника.....	93
УСУНЕННЯ НЕСПРАВНОСТЕЙ.....	95
ПІДТРИМКА.....	96

# КЕРІВНИЦТВО З ВИКОРИСТАННЯ

## ОГЛЯД

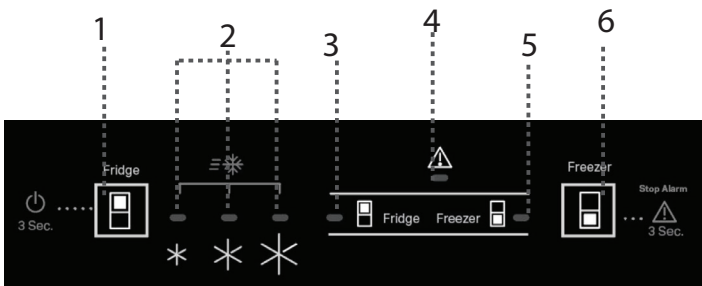
### ОСНОВНА ІНФОРМАЦІЯ

Ящики, кошики та полиці повинні залишатися у поточному положенні, якщо в цьому короткому посібнику не зазначено інше. Систему освітлення холодильного відділення оснащено світлодіодними джерелами світла, які забезпечують яскравіше світло, використовуючи при цьому менше електроенергії.

### УТИЛІЗАЦІЯ


Двері і кришки холодильного приладу перед утилізацією на полігоні необхідно зняти щоб уникнути потрапляння всередину дітей або тварин.

### ПАНЕЛЬ КЕРУВАННЯ




1. Температура холодильного відділення / Режим очікування
2. Налаштування індикатора температури
3. Індикатор холодильного відділення
4. Індикатор «Попередження»
5. Індикатор морозильного відділення
6. Температура морозильного відділення / Вимкнути попередження

### НАЛАШТУВАННЯ ТЕМПЕРАТУРИ

Натисніть кнопку холодильника , щоб встановити іншу температуру в холодильному відділенні.


*Рекомендоване налаштування для холодильного відділення — СЕРЕД*

Натисніть кнопку морозильної камери , щоб встановити іншу температуру в морозильному відділенні.

*Рекомендоване налаштування для морозильного відділення — СЕРЕД*



### УВІМКНЕННЯ/ОЧІКУВАННЯ

Натисніть кнопку температури холодильника  та утримуйте протягом 3 секунд, щоб увімкнути прилад у режимі очікування. Якщо у режимі очікування освітлення в холодильнику не працює. Щоб знову увімкнути прилад, натисніть цю кнопку повторно.

### ФУНКЦІЯ FAST FREEZE (ШВИДКЕ ЗАМОРОЖУВАННЯ)

Для кращого збереження увімкніть функцію швидкого заморожування до закладання в морозильну камеру великої кількості продуктів. Щоб активувати функцію, натисніть і утримуйте кнопку (6) до тих пір, поки не загоряться всі три індикатори. Функція автоматично вимикається через 26 годин. Її можна вимкнути вручну, змінивши температуру морозильного відділення.

*Примітка: Уникайте контакту свіжих продуктів із вже замороженими продуктами. Уникайте контакту свіжих продуктів із вже замороженими продуктами. Щоб оптимізувати швидкість заморожування, ящики можна витягнути і розмістити продукти безпосередньо на дні відділення.*

Щоб уникнути збільшення кількості харчових відходів, зверніться до розділу «Рекомендовані налаштування і час зберігання» в розділі «ФУНКЦІОНУВАННЯ»

# ФУНКЦІОНУВАННЯ

## ПЕРЕД ПОЧАТКОМ ЕКСПЛУАТАЦІЇ

Зачекайте принаймні дві години після установаження, перш ніж підключити прилад до електромережі. Якщо підключити прилад до електромережі, він автоматично розпочне роботу. За замовчуванням встановлено температури, які якнайкраще підходять для зберігання продуктів. Увімкнувши прилад, зачекайте 4-6 годин, щоб температура досягла значення, достатнього для зберігання стандартної кількості продуктів. Якщо лунає звуковий сигнал, це означає, що активовано сигнал попередження про температуру: натисніть на кнопку, щоб вимкнути звукові сигнали.

## ХОЛОДИЛЬНЕ ВІДДІЛЕННЯ І ЗБЕРІГАННЯ ПРОДУКТІВ

У холодильному відділенні можна зберігати свіжі продукти та напої. Розмороження холодильного відділення відбувається повністю автоматично. Краплі води на внутрішній задній стінці холодильного відділення свідчать про те, що наразі відбувається процес автоматичного розмороження. Тала вода автоматично стікає у дренажний отвір і збирається у спеціальному контейнері, звідки потім випаровується.

Примітка: На температуру всередині обох відділень може впливати температура навколишнього середовища, частота відкривання дверцят і положення приладу. Установлюйте температуру, беручи до уваги ці фактори. В умовах підвищеної вологості в холодильному відділенні може утворюватися конденсат (особливо на скляних полицях). У такому випадку рекомендовано щільно закрити ємності з рідинами (наприклад, накрити каструлі кришками), загорнути в харчову плівку продукти з підвищеним вмістом вологи (наприклад, овочі), а потім увімкнути вентилятор (якщо він є). Контейнери, дверні й основні полиці можна виймати.

## БАГАТОПОТОКОВА СИСТЕМА ОХОЛОДЖЕННЯ

Завдяки багатопотоковій системі охолодження холодне повітря рівномірно розподіляється всередині приладу, забезпечуючи краще збереження продуктів. Продукти можна розміщувати на будь-якій полиці холодильника. Не перекривайте вентиляційні отвори і забезпечте вільний рух повітря.

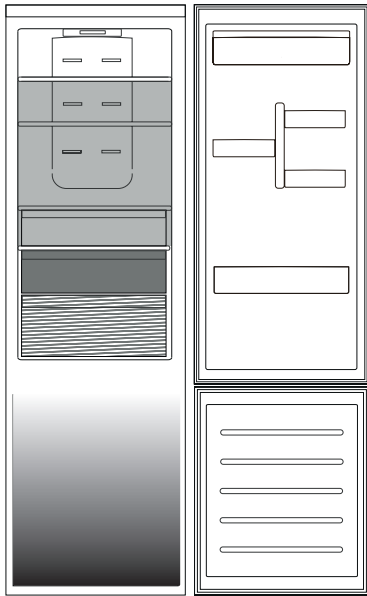
## СИСТЕМА ОСВІТЛЕННЯ






Цей виріб містить верхній елемент освітлення класу енергоефективності G

## ЗБЕРІГАННЯ СВІЖИХ ПРОДУКТІВ І НАПОЇВ

Продукти, які виділяють велику кількість етилену (яблука, абрикоси, груші, персики, авокадо, інжир, чорнослив, чорниця, диня, квасоля) та які є чутливими до цього газу, наприклад, фрукти, овочі та салат, завжди слід зберігати окремо або загортати, щоб подовжити строк їхнього зберігання; наприклад, не зберігайте помідори разом з ківі або капустою. Не зберігайте продукти надто близько один до одного, щоб забезпечити належну циркуляцію повітря. Для зберігання продуктів використовуйте пластикові, металеві, алюмінієві та скляні контейнери, що піддаються вторинній переробці, а також харчову плівку. Якщо кількість продуктів для зберігання в холодильнику невелика, рекомендуємо використовувати для цього полиці над контейнером для овочів і фруктів, адже в цій зоні холодильного відділення спостерігається найнижча температура. Використовуйте герметично закриті контейнери для зберігання рідин і їжі, яка може виділяти специфічний запах або може зіпсуватися через такий специфічний запах. Щоб уникнути падіння чи випадання пляшок, використовуйте підставку для пляшок (доступно в окремих моделях).




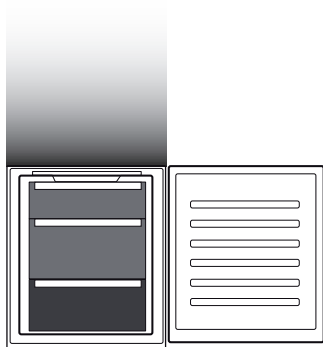
#### Умовні позначки

-  **ЗОНА ПОМІРНОЇ ТЕМПЕРАТУРИ**  
Рекомендується для зберігання тропічних фруктів, консервів, напоїв, яєць, соусів, солінь, масла, варення
-  **ЗОНА ОХОЛОДЖЕННЯ**  
Рекомендується для зберігання сиру, молока, продуктів щоденного споживання, делікатесів, йогурту
-  **НАЙХОЛОДНІША ЗОНА**  
Рекомендується для зберігання нарізки, десертів, риби і м'яса
-  **КОНТЕЙНЕР ДЛЯ ФРУКТІВ І ОВОЧІВ**



Межі навантаження визначаються конкретною конструкцією (кошиків, контейнерів, полиць, ящиків і т.д.), або межі навантаження визначаються природними межами навантаження.

## МОРОЗИЛЬНЕ ВІДДІЛЕННЯ ТА ЗБЕРІГАННЯ ПРОДУКТІВ

У морозильному відділенні  можна заморозувати свіжі продукти, а також тривало зберігати заморожені. Кількість свіжих продуктів, які можна заморозити протягом 24 годин, вказано на таблиці з технічними даними. Розміщуйте свіжі продукти в зоні заморожування морозильного відділення, залишаючи навколо кожної упаковки достатній простір для вільної циркуляції повітря. Частково розморожені продукти не рекомендовано заморозувати повторно. Дуже важливо загорнути продукти в харчову плівку, щоб уникнути потрапляння на них води, а також попередити підвищення рівня вологості й утворення конденсату.



#### Умовні позначки

-  **КОНТЕЙНЕРИ МОРОЗИЛЬНОЇ КАМЕРИ**
-  **КОНТЕЙНЕР ЗОНИ ЗАМОРОЖУВАННЯ**  
(Зона найінтенсивнішого охолодження)  
Рекомендується зберігати свіжозаморожені/приготовані продукти

### ВИЙМАННЯ ЯЩИКІВ

Витягніть контейнери, наскільки це можливо, трохи підніміть, а потім вийміть їх. Щоб збільшити місце для зберігання продуктів у морозильному відділенні, вийміть з нього всі контейнери. Розмістивши продукти на полицях або решітках, щільно закрийте дверцята.

## ТЕРМІНИ ЗБЕРІГАННЯ ДЛЯ ПРОДУКТІВ, ЗАМОРОЖЕНИХ В ДОМАШНІХ УМОВАХ

# Зберігання Зона

Місяців	2-6	4-8	6-12
Продукт			
			
			

## МОРОЗИЛЬНЕ ВІДДІЛЕННЯ

### Кубики льоду

Заповніть лоток для льоду на дві третини водою і поставте його до морозильного відділення. У жодному випадку не використовуйте гострі предмети, щоб вилучити лід.

Кількість свіжих продуктів, які можна заморозити за певний період часу, зазначено на табличці з технічними характеристиками.

Межі завантаження залежать від кошиків, тримачів, ящиків, полиць тощо. Переконайтеся, що ці елементи після завантаження можуть легко закриватися.

### Швидкодоступний піддон морозильної камери

Швидкодоступна зона морозильної камери: знаходьте улюблені продукти швидко і легко.

### Система Total No Frost (Без Обмерзання)

Система Total No Frost ефективно запобігає формуванню льоду, дозволяючи уникнути розморожування вручну як в морозильній, так і в холодильній камерах.

Вентиляційна система здійснює циркуляцію повітря в обох камерах приладу, тим самим не допускаючи утворення льоду.

## ЗВУКИ ПРИЛАДУ ПІД ЧАС РОБОТИ

1. Гудіння компресора під час роботи приладу є нормальним.



2. Булькотіння і потріскування виникають при проходженні газоподібного холодоагенту усередині контуру охолодження, тому вони є нормальними шумами.



3. Можна почути скрипіння, коли компресор є активним або неактивним: це нормальний звук роботи приладу.



4. Переконайтеся, що полиці на внутрішній стороні дверцят холодильника, полиці і контейнери холодильного відділення встановлені і розташовані належним чином, щоб уникнути виникнення вібрацій.

5. Не ставте скляні контейнери (пляшки, банки і т. ін.) поруч один з одним, щоб уникнути вібрації.

6. Цей пристрій обладнано компресором, який працює на оптимальній інтенсивності, щоб мінімізувати споживання енергії. Тому в деяких ситуаціях (в літній час або у разі завантаження великої кількості продуктів) інтенсивність роботи компресора збільшується, а отже, він працює більш гучно, ніж зазвичай.

## РЕКОМЕНДАЦІЇ НА ВИПАДОК НЕВИКОРИСТАННЯ ПРИЛАДУ

### Якщо прилад не використовується

Відключіть прилад від електромережі, витягніть із нього всі продукти, за потреби розморозьте та очистіть його.

Тримайте дверцята трохи відчиненими, щоб забезпечити циркуляцію повітря у відділеннях. Таким чином ви уникнете виникнення цвілі та неприємних запахів.

### У випадку перебоїв напруги в електромережі

Тримайте дверцята зачиненими, щоб якомога довше зберегти продукти охолодженими. Не заморозуйте повторно частково розморожені продукти. Якщо електроенергію відключено на тривалий час, може ввімкнутися сигнал про знеструмлення (у моделях, оснащених електронікою).

---

## ЧИЩЕННЯ ТА ОБСЛУГОВУВАННЯ

---

Перш ніж виконувати чищення або технічне обслуговування, від'єднайте прилад від електромережі або витягніть вилку з розетки.  
Ніколи не використовуйте абразивних мийних засобів. Ніколи не використовуйте займистих рідин для миття холодильника.  
Не застосовуйте пристрої чищення паром.  
Кнопки та дисплей панелі керування не можна протирати рідинами, які містять спирт, а лише сухою ганчіркою.

Регулярно очищайте прилад за допомогою м'якої тканини та теплої води з розчином у ній нейтральним мийним засобом, придатним для очищення внутрішніх поверхонь холодильного відділення.

---

### ОСВІТЛЕННЯ ХОЛОДИЛЬНОГО ВІДДІЛЕННЯ

Систему освітлення холодильного відділення оснащено світлодіодними джерелами світла, які забезпечують яскравіше світло, використовуючи при цьому менше електроенергії. Якщо виникла потреба провести заміну, зверніться до Центру технічного обслуговування клієнтів.

**Важливо:** Внутрішнє освітлення холодильного відділення вмикається під час відкриття дверцят.

---

### ПОЛИЦІ

Контейнери, дверні й основні полиці можна виймати.

---

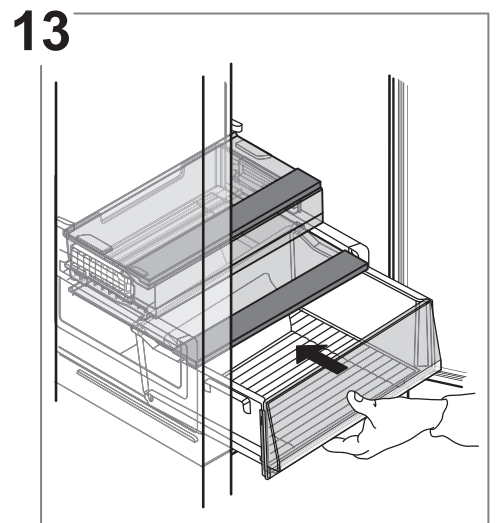
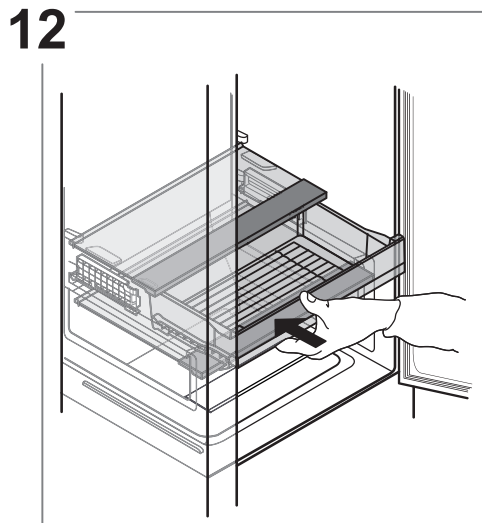
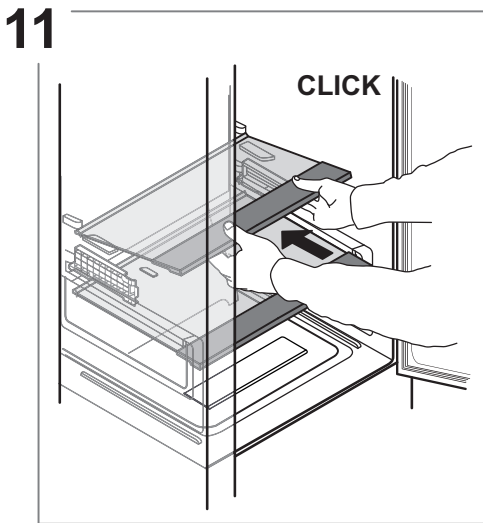
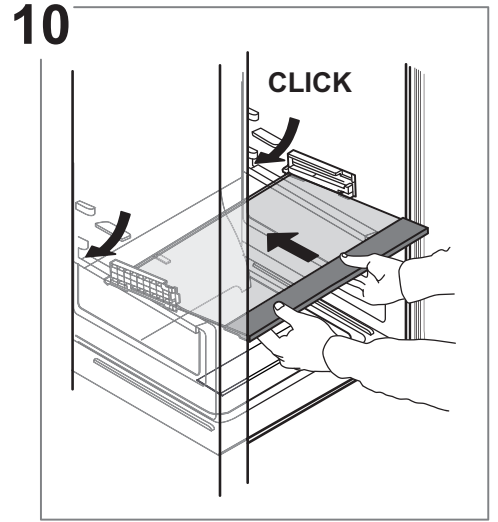
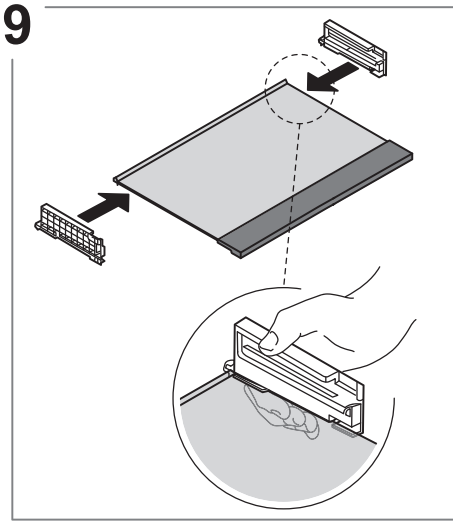
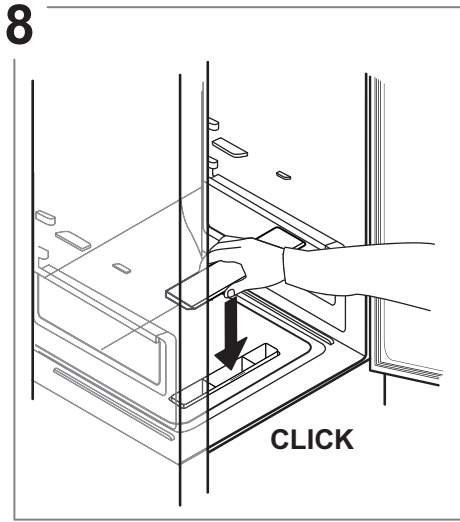
### ДВЕРЦЯТА

---

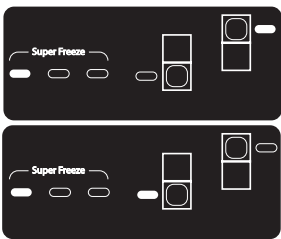
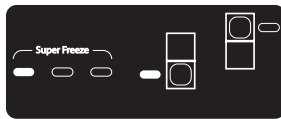
#### ЗМІНА НАПРЯМКУ ВІДКРИВАННЯ ДВЕРЦЯТ

Примітка: Напрямок відкриття дверцят можна змінити. Гарантія не поширюється на цю дію, якщо її виконують не працівники Центру післяпродажного обслуговування. Дотримуйтесь порад, вказаних у **Інструкції з монтажу**.





# УСУНЕННЯ НЕСПРАВНОСТЕЙ

Що робити, якщо...	Можливі причини	Усунення
Панель керування вимкнута, прилад не працює.	Можливо, прилад перебуває в режимі «Увімкнено / Режим очікування». Можливо, виникли проблеми з електропостачанням приладу.	Увімкніть прилад кнопкою 1. Переконайтеся, що: <ul style="list-style-type: none"> <li>не відбувся збій в мережі електропостачання;</li> <li>штепсель вставлено в розетку належним чином, а двополюсний перемикач (за наявності) розташовано правильно (тобто забезпечено електроживлення приладу);</li> <li>захисні пристрої електричної системи будинку працюють належним чином</li> <li>Все детали фильтра должны быть очищены.</li> </ul>
Не працює освітлення всередині приладу.	Можливо, потрібно замінити лампочку.	Зверніться до авторизованого центру обслуговування клієнтів.
	Можливо, прилад перебуває в режимі «Увімкнено / Режим очікування».	Увімкніть прилад кнопкою 1.
Температура у відділеннях не достатньо низька.	Причин несправності може бути кілька (див. розділ «Усунення проблем»).	Переконайтеся, що: <ul style="list-style-type: none"> <li>дверцята закрито належним чином</li> <li>прилад не встановлений поблизу джерела тепла</li> <li>установлено належну температуру</li> <li>ніщо не перешкоджає циркуляції повітря через вентиляційні отвори, розташовані на нижній частині приладу.</li> </ul>
Передній край пристрою поблизу ущільнювача дверцят нагрівається.	Це не є несправністю. Це запобігає утворенню конденсату.	Не потрібно нічого змінювати та виправляти.
Лунає звуковий сигнал.	<b>Попередження про відкриті дверцята</b> Вмикається, якщо дверцята залишаються відкритими протягом тривалого часу.	Щоб відключити сигналізацію, закрийте дверцята виробу.
	<b>Сигнал про знеструмлення</b> Вмикається у випадку тривалого відключення електропостачання, що спричиняє підвищення температури в морозильному відділенні.  Примітка: доки лунатиме сигнал про збій електропостачання, встановити для приладу іншу температуру неможливо.	Перед вимкненням звукового сигналу рекомендовано звернути увагу на світлодіодні індикатори морозильної камери, що відповідають найвищій температурі, якої було досягнуто в морозильній камері у період відсутності електропостачання. Щоб відключити звуковий сигнал, короткочасно натисніть кнопку «Зупинити сигнал». Після натискання кнопки світлодіодний індикатор температури знову відображає встановлену температуру. Якщо в морозильному відділенні ще не досягнуто температури, яка оптимально підходить для зберігання продуктів, може ввімкнутися відповідний сигнал (див. відомості про температурний сигнал морозильного відділення). Перш ніж споживати продукти, перевірте їхню свіжість.
	<b>Температурний сигнал морозильного відділення</b> Температурний сигнал морозильного відділення вказує на те, що оптимальну температуру не досягнуто. Це може статися: під час першого використання, після розморожування та/або очищення, якщо у морозильному відділенні зберігається велика кількість продуктів або якщо дверцята відділення не закриті належним чином.	При натисканні кнопки (1) або (6) звуковий сигнал відключається

**FRANKE.COM**

© Franke Technology and Trademark Ltd, Switzerland

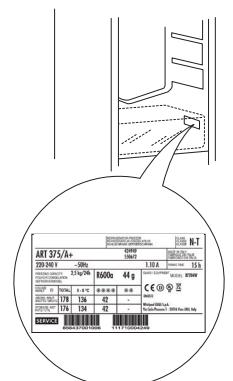
## ПІДТРИМКА

У разі виникнення проблем під час експлуатації зверніться до технічного сервісного центру Franke. Ніколи не користуйтеся послугами сторонніх спеціалістів.

**Потрібно надати таку інформацію:**

- тип несправності
- модель приладу (арт./код)
- серійний номер (S.N.).

Звертаючись до центру післяпродажного обслуговування, повідомте коди, зазначені на табличці з паспортними даними виробу.









franke.com



EN DE FR IT ES PT PL NL UK

400020014146

